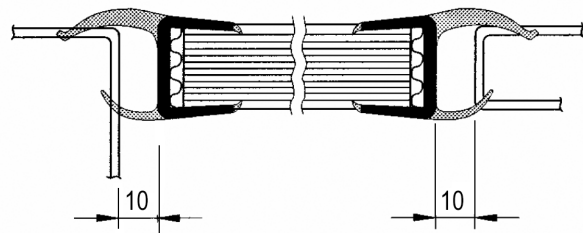
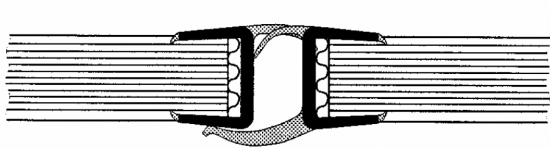
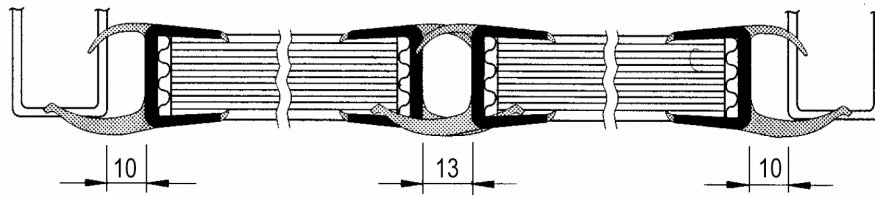




06 Box Superstructures

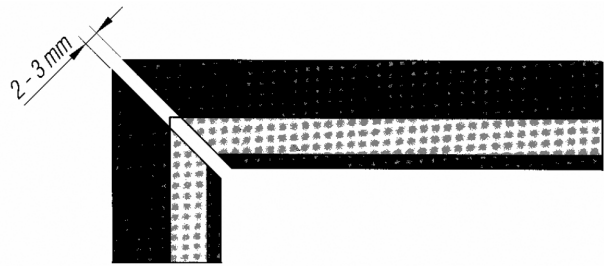
PVC SEAL - HARD/SOFT COMBINATION

The boards (plywood, fibreboard, plastics and sandwiches) are edged with hard PVC U-profile with soft PVC tabs at the end. The boards lined in this manner protect the interior of the superstructure - the box - against moisture penetration. The long soft PVC tab forms the outer protection, while the short one serves as an inner seal. An adequate gap for air circulation between the seal and the frame is required for optimum function.

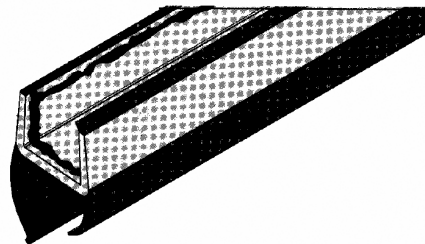


PVC SEALS - ASSEMBLY

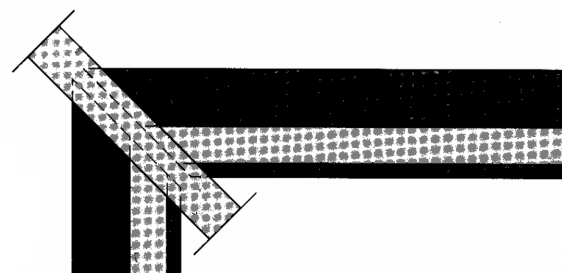
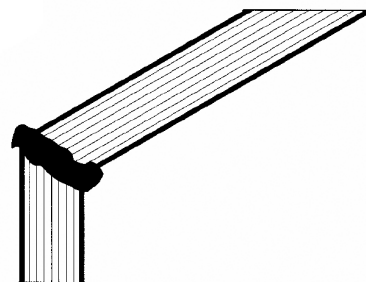
A rigid and clean frame (e.g. rear door frame) is a prerequisite for easy assembly and optimal function of the entire sealing system. Cut the seal as precisely as possible **at an angle of 45°**, taking into account the necessary **2-3 mm slot**.



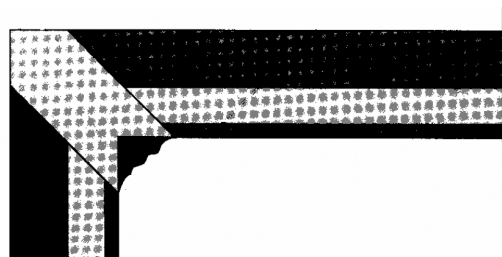
The surface of the door leaf to be sealed should be **dry, degreased and dust-free**. Apply the adhesive compound as shown on the inner surface of the U-frame.



Apply a sealing compound such as **Körapur 125 TT- 1211125. XXX** to the corner of the door surface. Push the seal around and press it. Ensure sufficient clamping pressure, e.g. on plywood with clamps or suitable nails at the appropriate distance. For metal parts, ensure pressure with tear rivets. For sandwiches, a sealant that also has adhesive effects (**Körapur 140 TT- 1211140.000**) can be used instead of the standard sealant.



Cut off the cover tape **0611999.010 - grey, 0611999.120 - black**, paint with adhesive **TT-1220051.060 Köraplast SF** and attach. Then cut cleanly with a sharp knife and press, for example, with clamps. **Apply sealant to the lower end of the cover strip to seal.**



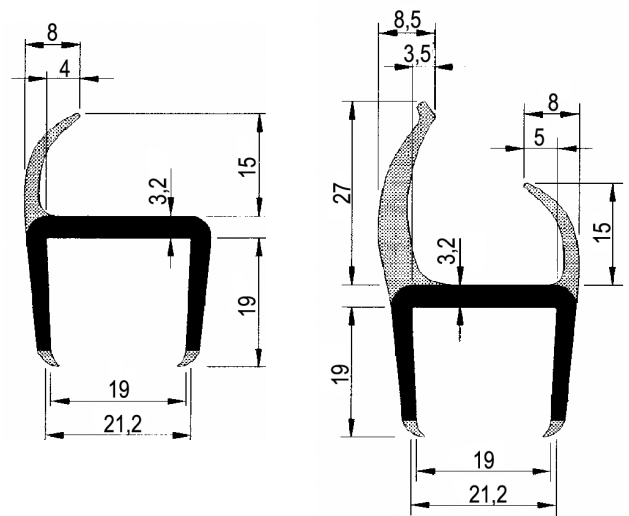
PVC SEALS - COMBINATION

PVC sealing - in combination: hard U-rim / soft sealing tabs

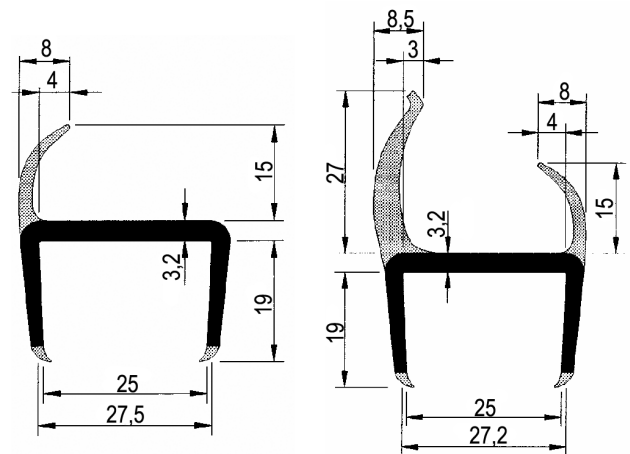
Colour: edging - light grey / sealing tabs - grey

Supplied as bars in the lengths shown

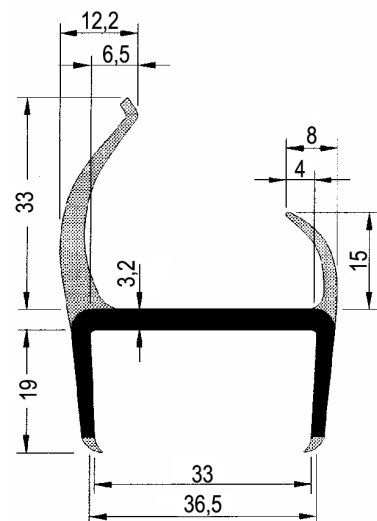
TT-number	U-profile mm	Number of tabs	Length m	Weight kg/m
0611211.027	21	1	2700	0.29
0611212.027	21	2	2700	0.38



TT-number	U-profile mm	Number of tabs	Length m	Weight kg/m
0611271.027	27	1	2700	0.33
0611272.027		2	2700	0.39
0611272.033		2	3300	0.39



TT-number	U-profile mm	Number of tabs	Length m	Weight kg/m
0611352.027	35	2	2700	0.42
0611352.031		2	3100	0.42
0611352.033		2	3300	0.42

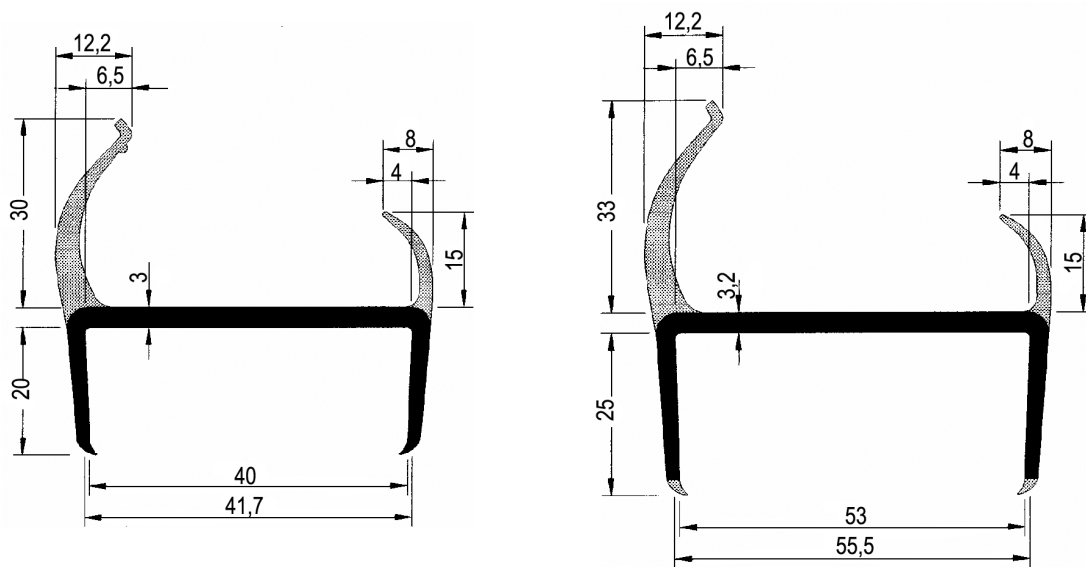


PVC SEALS - COMBINATION

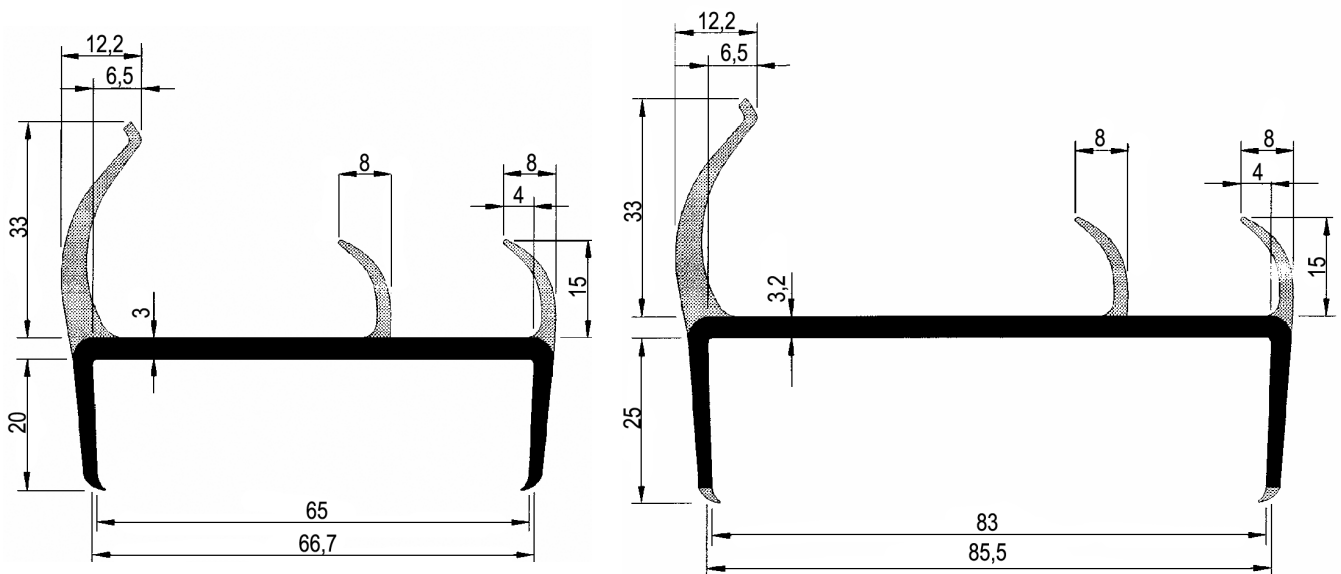
PVC sealing - in combination: hard U edging / soft sealing tabs

Colour: edging - grey / sealing tabs - grey

Supplied as bars in the lengths shown



TT-number	U-profile mm	Number of tabs	Length m	Weight kg/m
0611402.022	40	2	2250	0.46
0611402.027	40	2	2700	0.46
0611552.027	55	2	2700	0.63



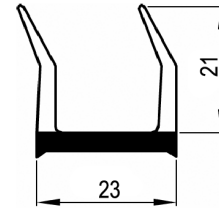
TT-number	U-profile mm	Number of tabs	Length m	Weight kg/m
0611653.027	65	3	2700	0.74
0611853.027	85	3	2700	0.83



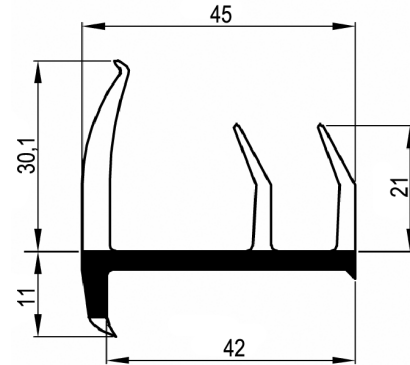
PVC SEALS - COMBINATION

PVC sealing - in combination: hard edging / soft sealing tabs
 Colour: edging - grey / sealing tabs - grey
 Supplied as bars in the lengths indicated
 Both seals can be used to create a 5-tab seal

TT-number	Length m	Weight kg/pc
0611002.021	2100	0.4
0611002.026	2600	0.5
0611002.032	3200	0.61

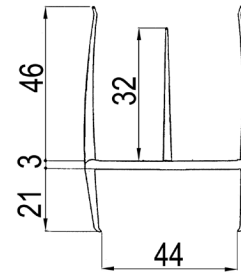


TT-number	Length m	Weight kg/pc
0611003.021	2100	1.0
0611003.026	2600	1.24
0611003.032	3200	1.52



PVC sealing - in combination: hard edging / soft sealing tabs
 Colour: edging - grey / sealing tabs - grey
 Supplied as bars in the lengths indicated
 Suitable for sliding walls

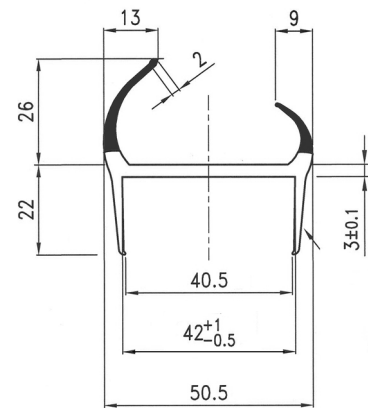
TT-number	Number of tabs	Length m	Weight kg/pc
0611443.028	3	2800	1.83



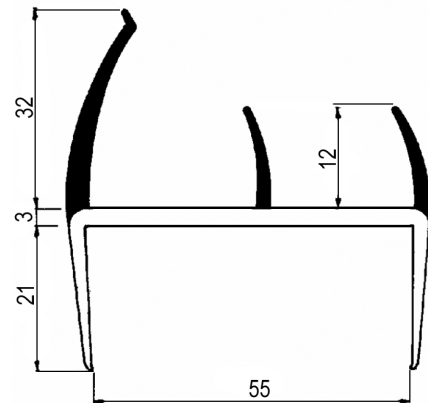
PVC SEALS - COMBINATION

PVC sealing - in combination: hard edging / soft sealing tabs
 Supplied as bars in the lengths indicated

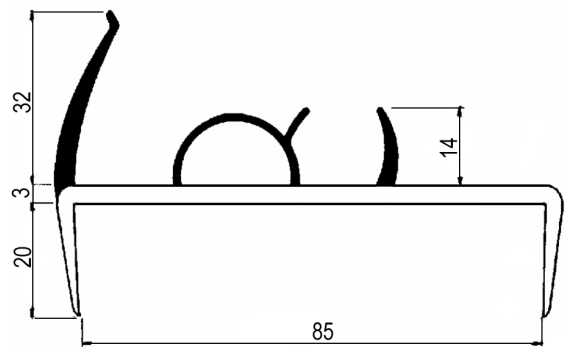
TT-number	U-profile mm	Number of tabs	Length m	Weight kg/m
0611402.127	40	2	2700	0.46



TT-number	U-profile mm	Number of tabs	Length m	Weight kg/m
0611553.127	55	3	2700	0.63



TT-number	U-profile mm	Number of tabs	Length m	Weight kg/m
0611853.127	85	3	2700	0.83



PVC SEALS - COMBINATION

0611192.227

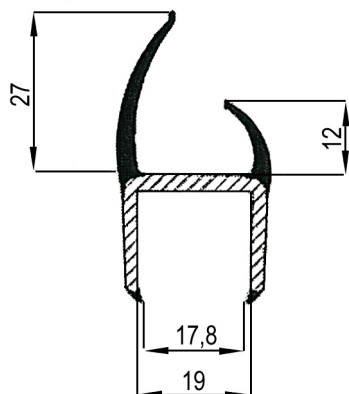
PVC seals - in combination:

hard edging / soft sealing tabs

Length L = 2.7 m

Colour: edging - grey / sealing tabs - grey

Supplied as bars in the lengths shown



0611272.227

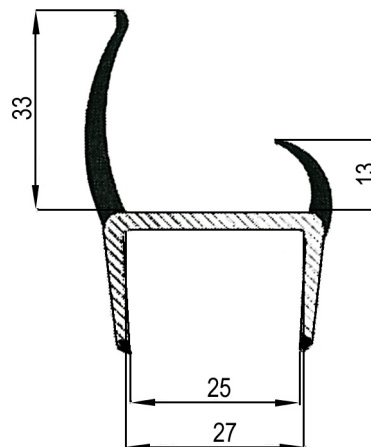
PVC seals - combined:

hard edging / soft sealing tabs

Length L = 2.7 m

Colour: edging - grey / sealing tabs - grey

Supplied as bars in the lengths shown



0611302.227

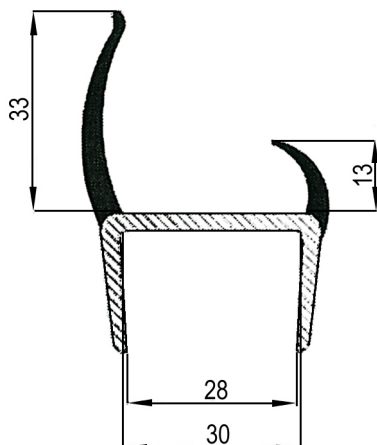
PVC seals - combined:

hard edging / without soft sealing tabs

Length L = 2.7 m

Colour: edging - grey / sealing tabs - grey

Supplied as bars in the lengths shown



0611352.227

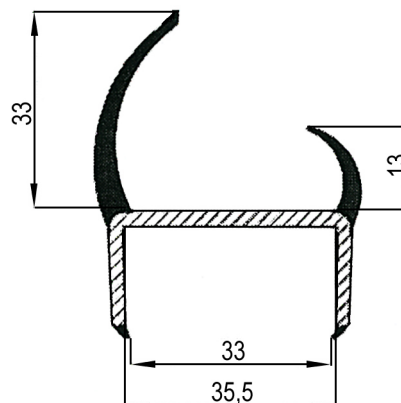
PVC seals - combined:

Hard edging / soft sealing tabs

Length L = 2.7 m

Colour: edging - grey / sealing tabs - grey

Supplied as bars in the lengths shown



0611402.227

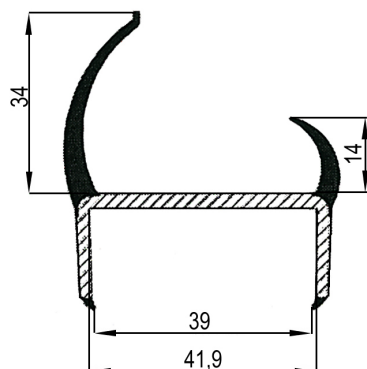
PVC seals - combined:

hard edging / soft sealing tabs

Length L = 2.7 m

Colour: edging - grey / sealing tabs - grey

Supplied as bars in the lengths shown



0611552.227

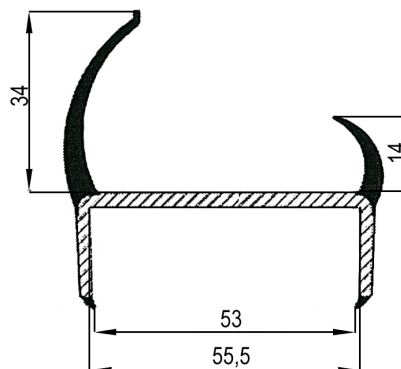
PVC seals - combined:

hard edging / soft sealing tabs

Length L = 2.7 m

Colour: edging - grey / sealing tabs - grey

Supplied as bars in the lengths shown



PVC SEALS - COMBINATION

0611302.332

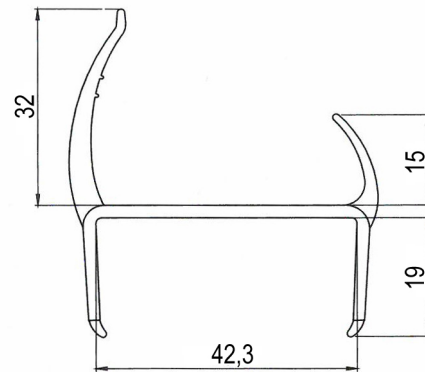
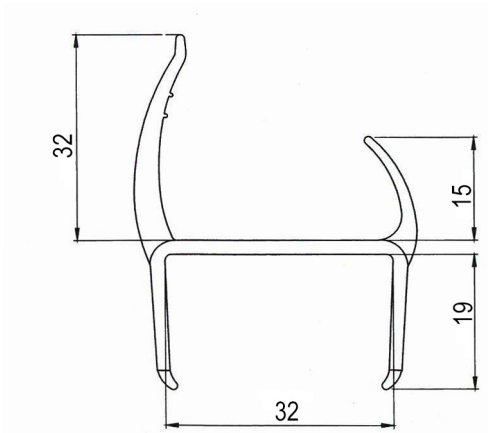
PVC 32 mm profile L = 3.2 m black/white

0611302.350

PVC 32 mm profile L = 5 m black/white

0611402.332

PVC 42 mm profile L = 3.2 m black/white



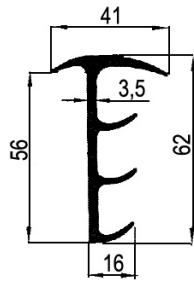
PVC SEAL - RUBBER SEAL

0612404.000

Rubber seals

Colour: black, 13 m roll

Weight: 7.55 kg

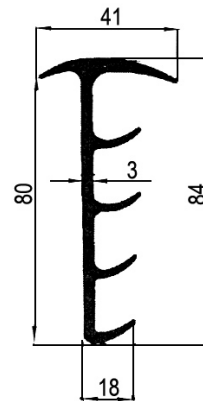


0612406.130

Rubber seals

Colour: black, 13 m roll

Weight: 9.7 kg



PVC SEALING - PRODUCTS FOR INSTALLATION

1220051.060

Körapur 125,

cartridges 310 ml,
"salami" 600 g Köraplast SF



1211125.000

Körapur 125,

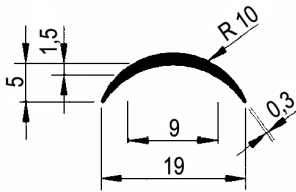
cartridges 310 ml,
"salami" 600 g



0611999.010

PVC masking tape - grey

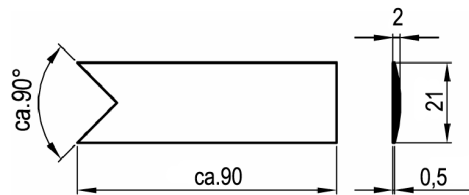
Design: by-the-metre goods
Material: soft PVC, colour grey
Weight: 0.035 kg/m



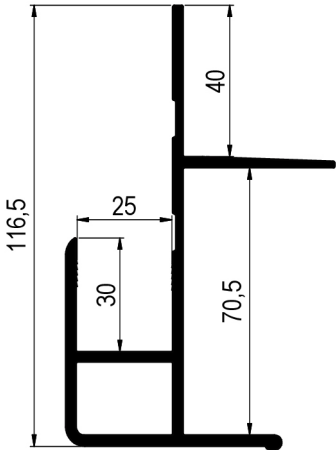
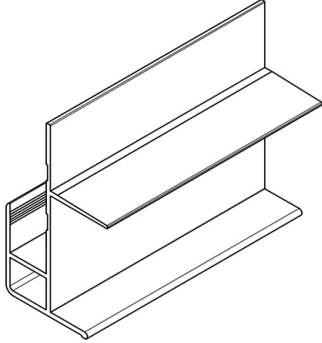
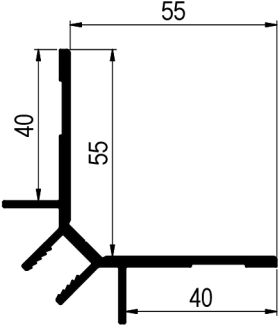
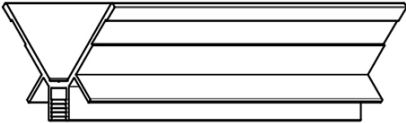
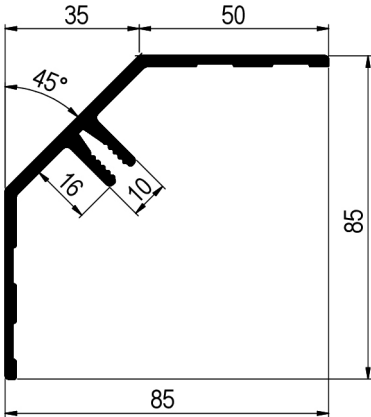
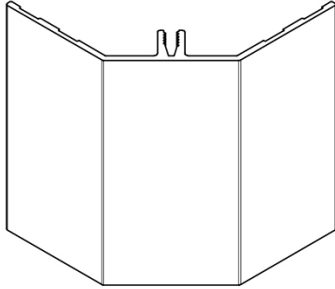
0611999.120

PVC masking tape - black

Design: pieces
Material: PVC, colour black
Weight: 0.004 kg/piece

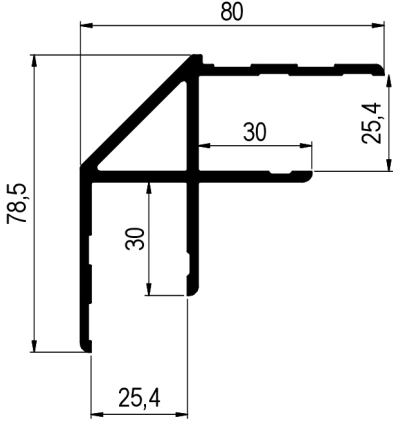
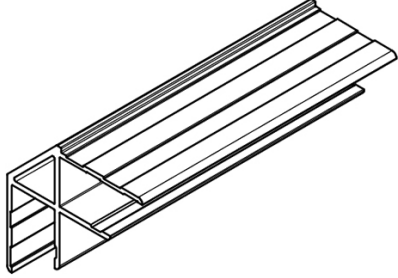
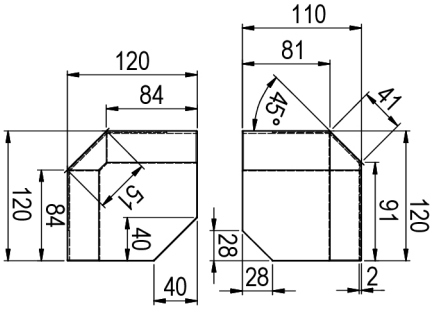
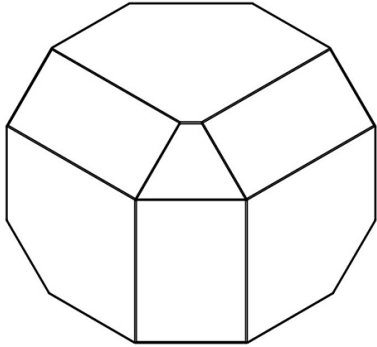
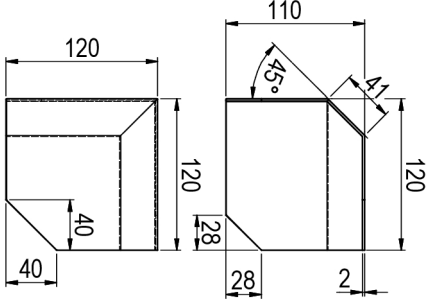
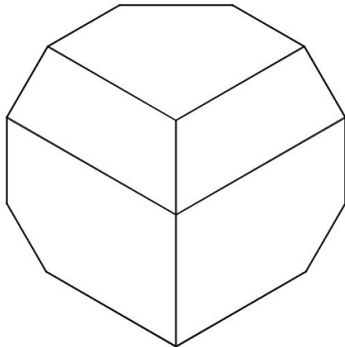


ALUMINIUM CABINET PROFILES

TT-number / Name	Drawing	Photo
<p>0621110.100 Perimeter frame box profile, Al anodized</p>		
<p>0621340.100 Profile for pillar indoor cabinet, Al anodized</p>		
<p>0621341.100 Profile for pillar external box, Al anodized</p>		

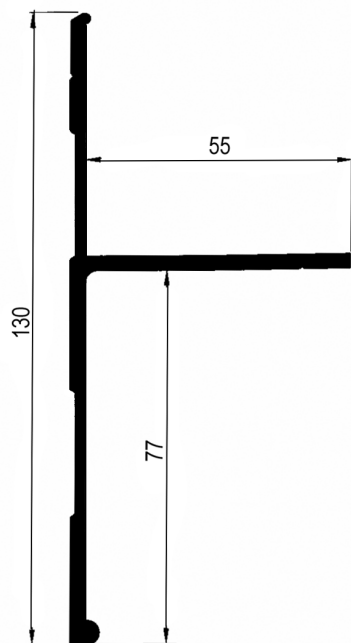


ALUMINIUM BOX PROFILES AND CORNERS

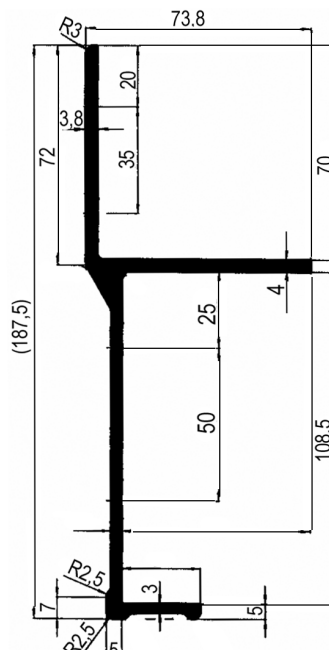
TT-number / Name	Drawing	Photo
<p>0621350.125 Upper box profile 25mm, Al anodized</p>		
<p>0621351.000 Corner front laminate. 120 x 120, plain, grey</p>		
<p>0621352.000 Corner rear laminate. 120 x 120, plain, grey</p>		



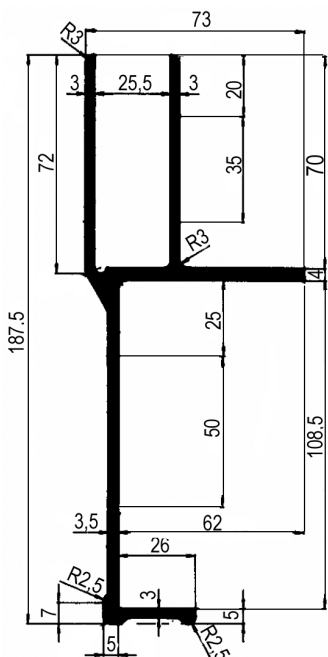
ALUMINIUM PROFILES - FLOOR FRAME



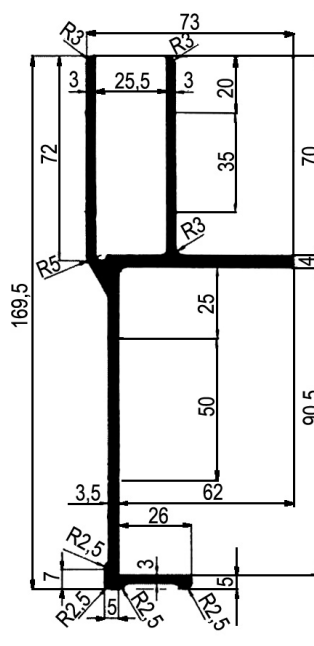
0621105.100



0621106.100



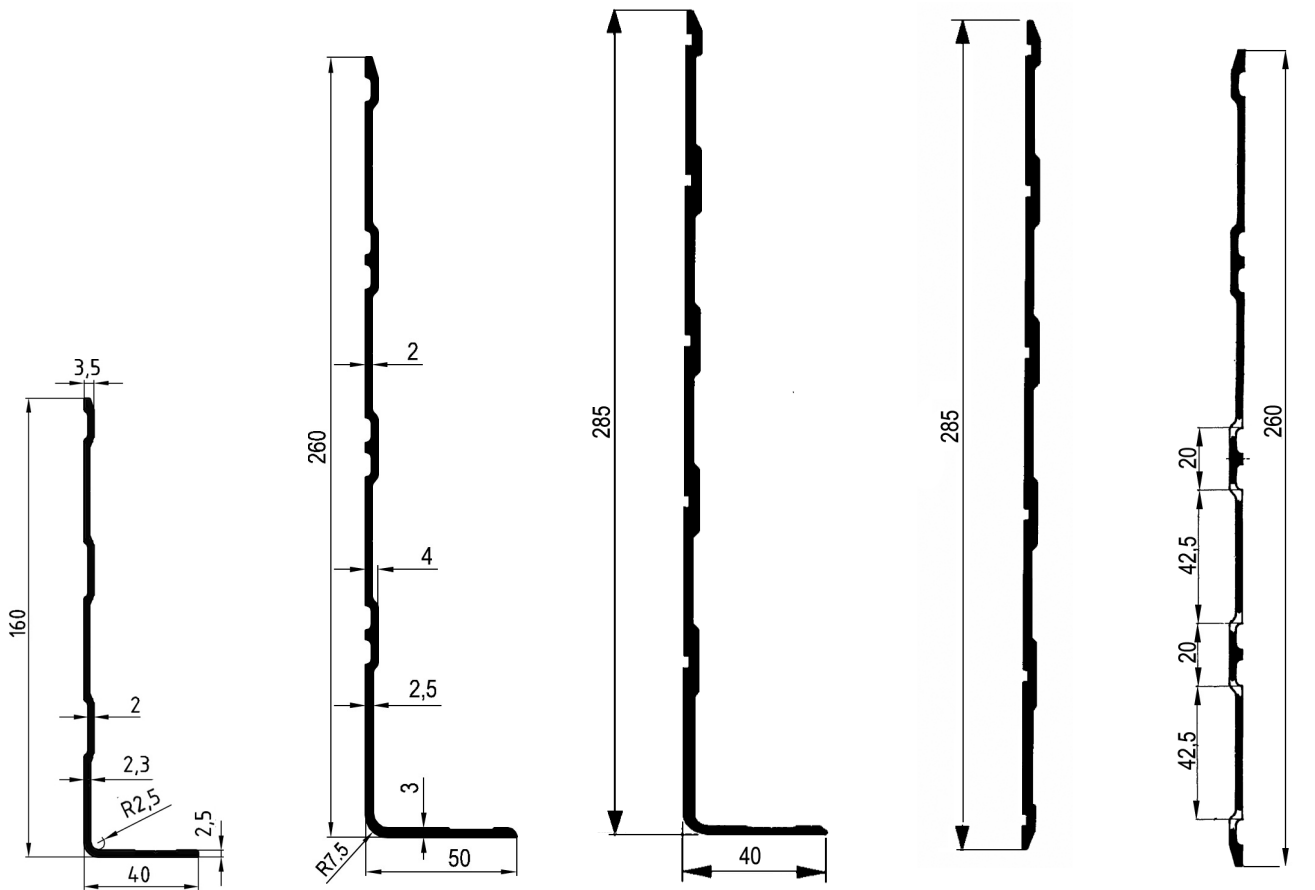
0621107.000
0621107.100



0621108.000
0621108.100

TT-number natural	TT-number anodized	Name	Length mm	Material	Weight kg/m
-	0621105.100	Floor frame profile 130 / 77	7000	AlMgSi0,5	1.45
-	0621106.100	Floor frame profile 188 / 108	7500	AlMgSi0,6	2.98
0621107.000	0621107.100	Floor frame profile 188 / 108 / 25	7650	AlMgSi0,5	3.32
0621108.000	0621108.100	Floor frame profile 170 / 90 / 25	7650	AlMgSi0,5	3.18

ALUMINIUM PROFILES - TRENCHED



0621203.000
0621203.100

0621206.000
0621206.100

0621207.100

0621210.100

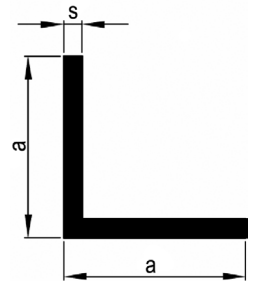
0621212.000

TT-number natural	TT-number anodized	Name	Length mm	Material	Weight kg/m
0621203.000	0621203.100	Trench profile L 40 x 160	7650	AlMgSi0,5	1.15
0621206.000	0621206.100	Trench profile L 50 x 260	7500	AlMgSi0,5	1.97
-	0621207.100	Trench profile L 40 x 285	7500	AlMgSi0,5	2.44
-	0621210.100	Trench profile I 285	7500	AlMgSi0,5	2.18
0621212.000	-	Trench profile I 260	7500	AlMgSi0,5	1.572

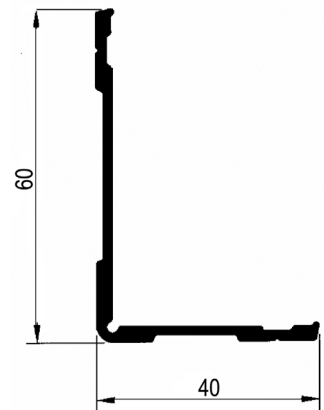


ALUMINIUM PROFILES - CORNER AND EDGING

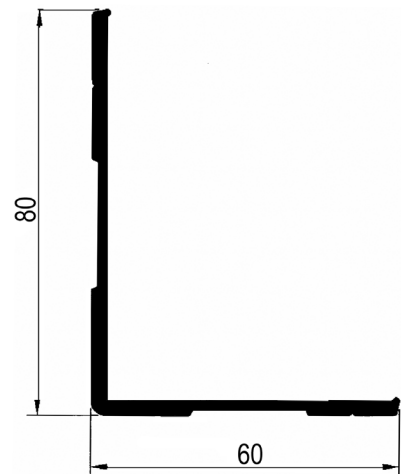
TT-number natural	TT-number anodized	Name	Length mm	Material	Weight kg/m
0621301.000	0621301.100	20 x 20 x 2	5000	AlMgSi0,5	0.21
0621303.000	0621303.100	30 x 30 x 2	5000	AlMgSi0,5	0.32
0621304.000	-	40 x 40 x 3	5000	AlMgSi0,5	1.11



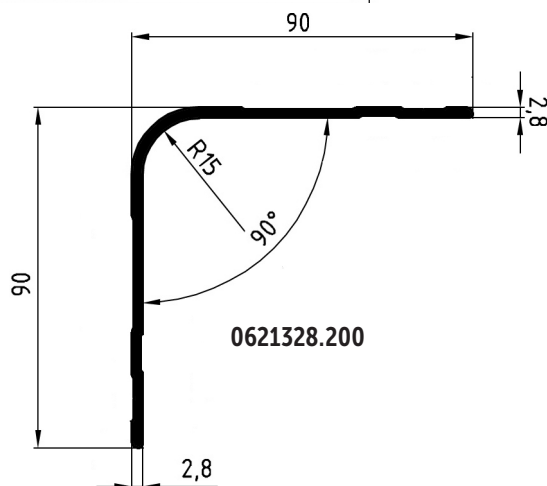
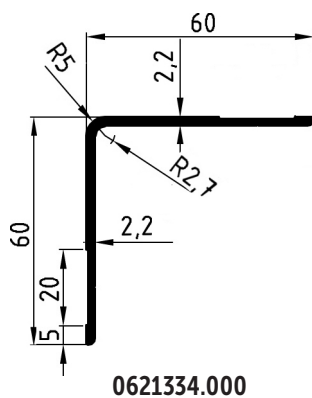
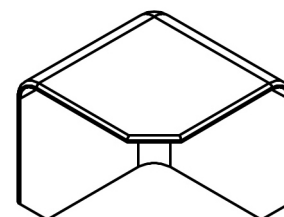
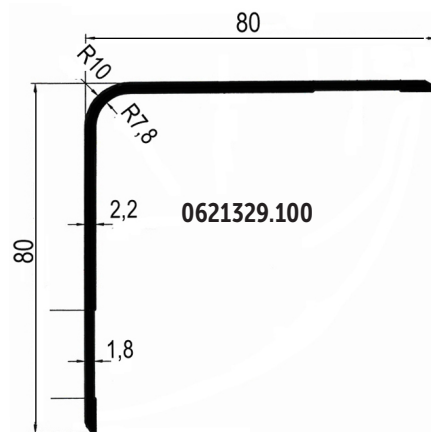
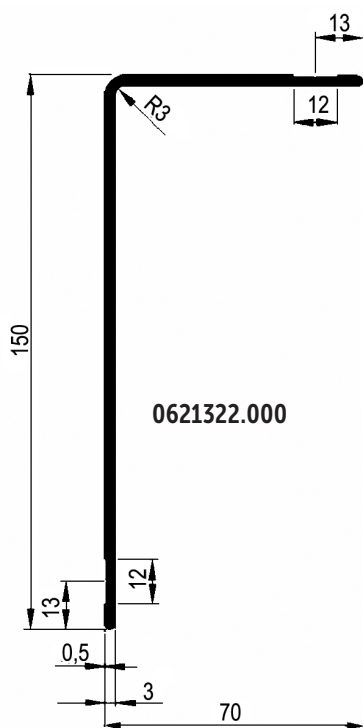
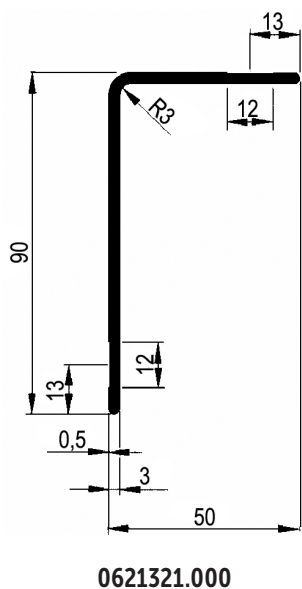
TT-number anodized	Name	Length mm	Material	Weight kg/m
0621311.100	Profile L 40 x 60 x 3	7500	AlMgSi0,5	0.57



TT-number anodized	Name	Length mm	Material	Weight kg/m
0621312.100	Profile L 60 x 80 x 3	7500	AlMgSi0,5	0.95



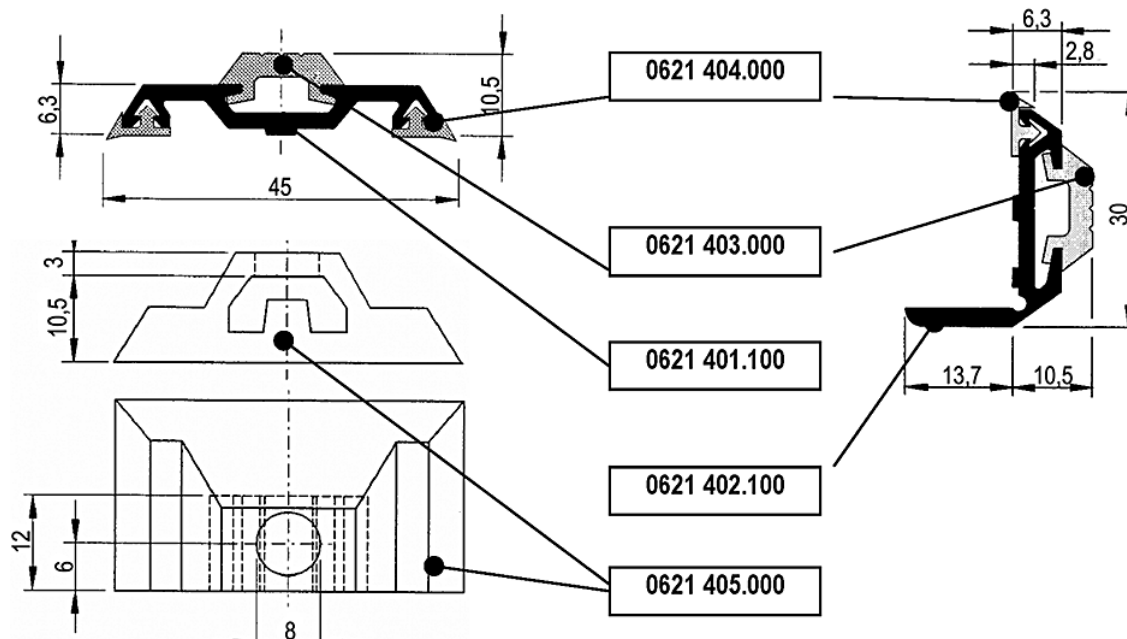
ALUMINIUM PROFILES - CORNER AND EDGING



TT-number natural	TT-number anodized	Name	Length mm	Material	Weight kg/m
0621321.000	-	Profile L 50 x 90 x 3, R3	7500	AlMgSi0,5	1.10
0621322.000	-	Profile L 70 x 150 x 3, R3	7500	AlMgSi0,5	1.70
-	0621329.100	Profile L 80 x 80	7500	AlMgSi0,5	0.86

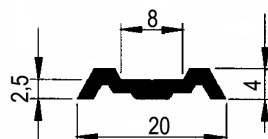
TT-number	Name	Length mm	Material	Weight kg/m
0621328.200	Corner profile 90 x 90 / R15 - RAL 9010	7500	AlMgSi0,5	1.2
TT-number	Recommended profiles		Material	Weight kg/m
0622005.000	Cover corner 105 x 105, R10, white - RAL 9010	0621323.xxx	laminate	0.12
0622005.010	Cover corner 105 x 105, R10, grey - RAL 9010	0621323.xxx	laminate	0.12





TT-number natural	TT-number anodized	Name	Length mm	Material	Weight kg/m
0621401.000	0621401.100	Cover profile 45 x 6	5000	AlMgSi0,5	0.31
0621402.000	-	Cover profile 30 x 6 corner	5000	AlMgSi0,5	0.31

TT-number	Name	Length mm	Material	Weight kg/m
0621403.000	PVC upper rail profile, black, for profile 401 / 402	as required	soft PVC	0.07
0621404.000	PVC lower rail profile, black, for profile 401 / 402	as required	soft PVC	0.03
0621405.000	End cap for profile 0621401.xxx		polyurethane	0.07

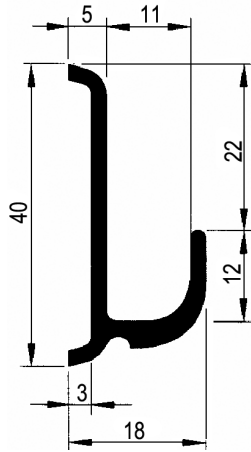


0621406.000

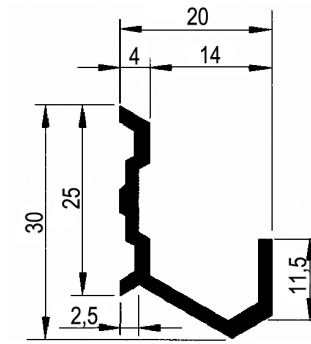
TT-number natural	TT-number anodized	Name	Length mm	Material	Weight kg/m
0621406.000	-	Cover profile 20 x 4	5000	AlMgSi0,5	0.12



ALUMINIUM PROFILE - GUTTER



0621501.000

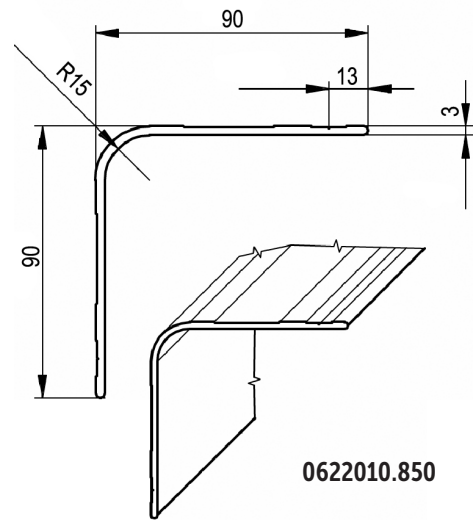
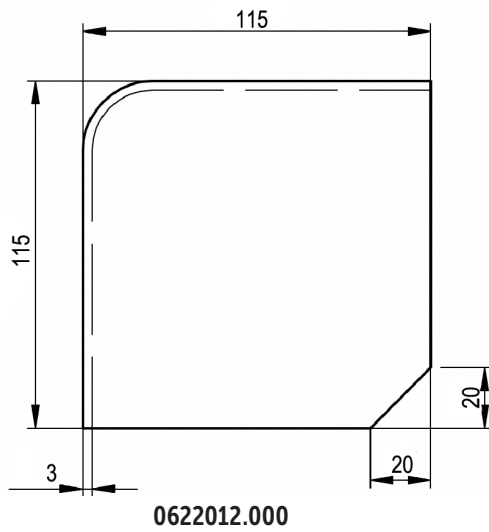


0621502.000

TT-number natural	TT-number anodized	Name	Length mm	Material	Weight kg/m
0621501.000	0621501.100	Gutter profile 18 x 40	5000	AlMgSi0,5	0.39
0621502.000	0621502.100	Gutter profile 20 x 30	5000	AlMgSi0,5	0.28

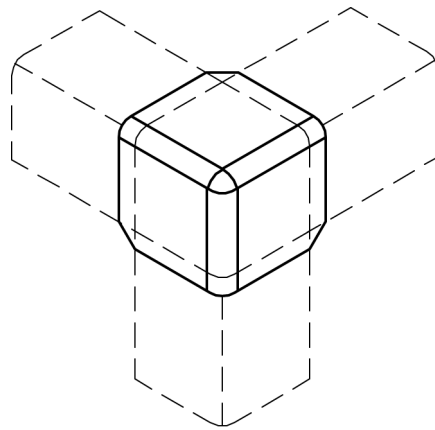


LAMINATE PROFILES



Laminate profiles, covering and connecting corners are produced by vacuum technology, which guarantees high quality of parts and dimensional stability. The products are characterized by high impact strength, flexibility, low weight and high fibreglass content. Profiles, cover and connecting corners are offered in RAL 9010 white as standard.

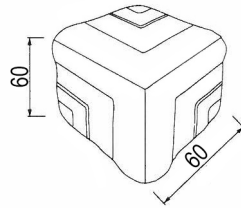
TT-number	Name	Length mm	Material	Weight kg/m
0622010.850	Profile L 90 x 90 / R15	8500	laminate	4.59
0622012.000	Corner cover 115 x 115 / R20	-	laminate	0.14



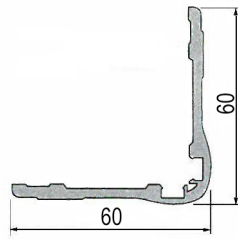
Method of placement



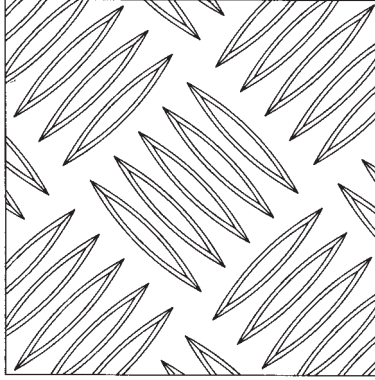
0622033.000
Plastic cover corner 60 x 60 / R10



0622034.500
External plastic profile L 60 x 60 mm



ALUMINIUM NON-SLIP PROTRUDING PLATES - QUINTET



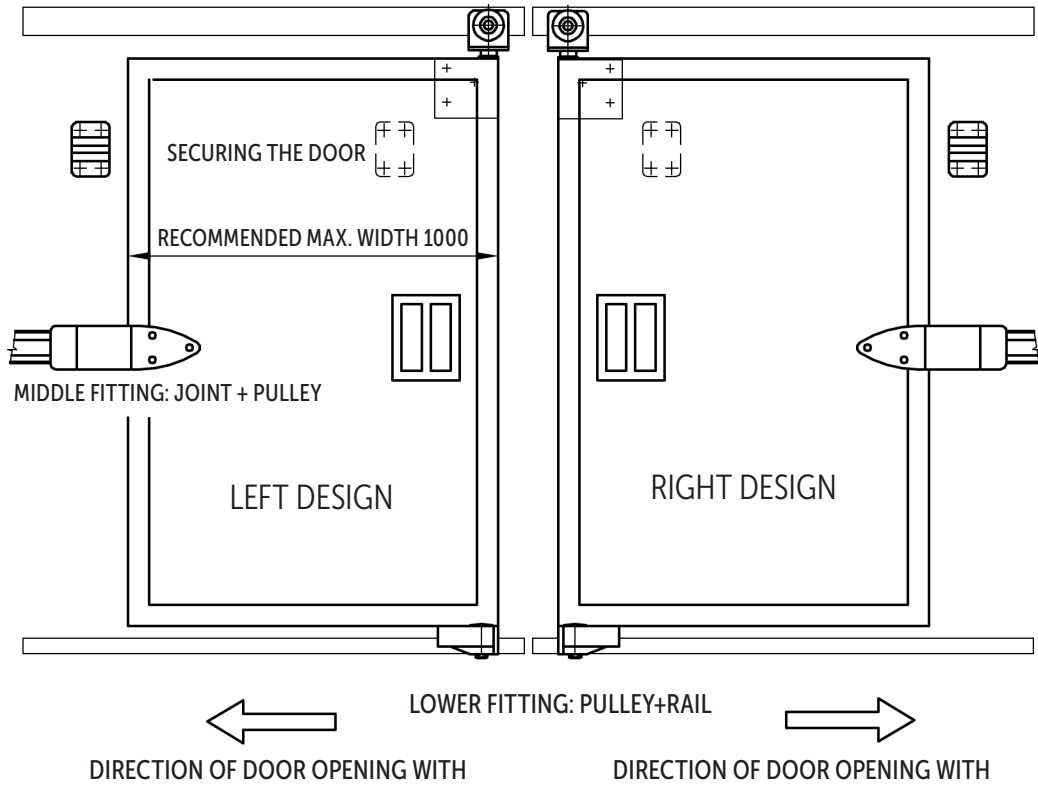
TT-number	thickness mm	Dimension b x l mm	Material	Weight kg/tab.
0623020.125	2 / 3.5	1250 x 2500	AlMg3	19.50
0623030.125	3 / 4.5	1250 x 2500	AlMg3	29.00
0623050.125	5 / 6.5	1250 x 2500	AlMg3	45.00

2 / 3.5 - sheet thickness / plate thickness with protrusions

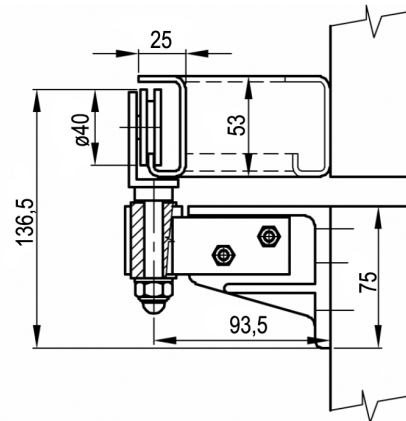


SIDE SLIDING DOOR - THREE POINTS

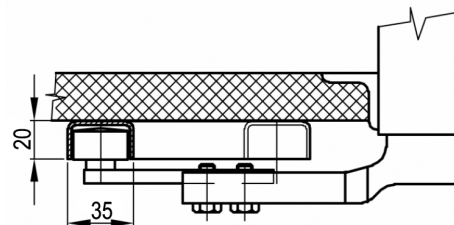
UPPER LODGING: PULLEY+RAIL



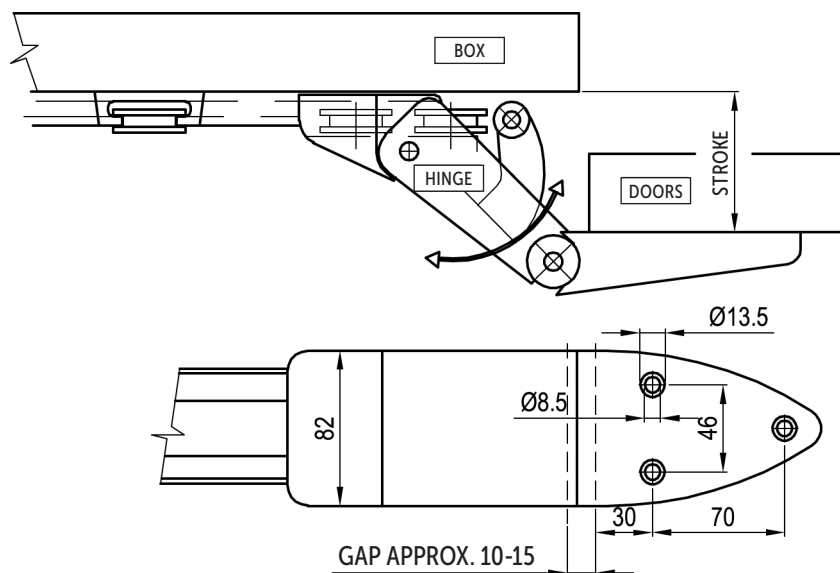
Mounting detail of the upper mounting



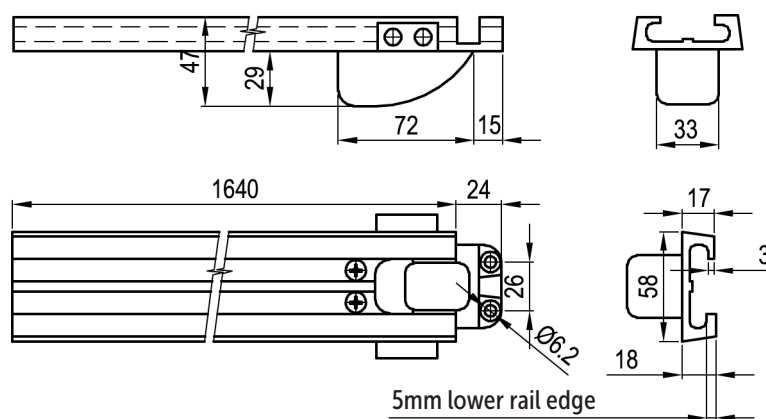
Mounting detail of the lower fitting



SIDE SLIDING THREE-POINT DOOR, CENTRAL JOINT+RAIL



TT-number	Name	Door thickness mm	Material	Weight kg/m
0631001.000	Joint stroke 73 mm	max. 45	Al alloy	1.24

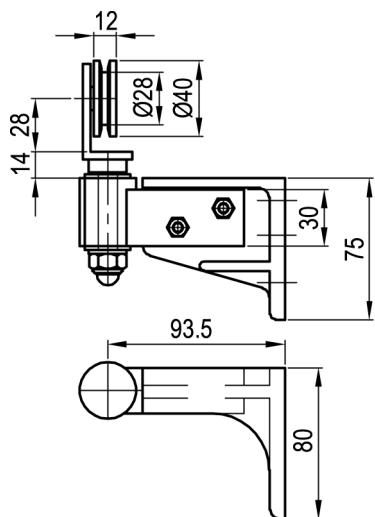


TT-number	Name	Material	Weight kg/m
0631003.100	Middle right rail	Al alloy	2.29
0631003.200	Middle left rail	Al alloy	2.29

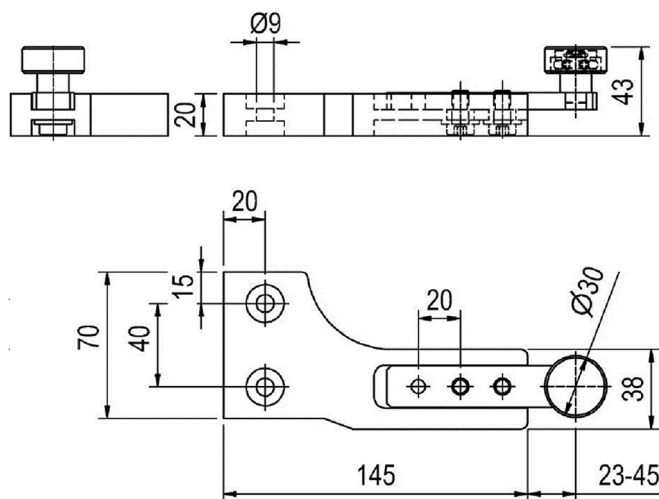


SIDE SLIDING DOOR - THREE-POINT, PULLEY + RAIL

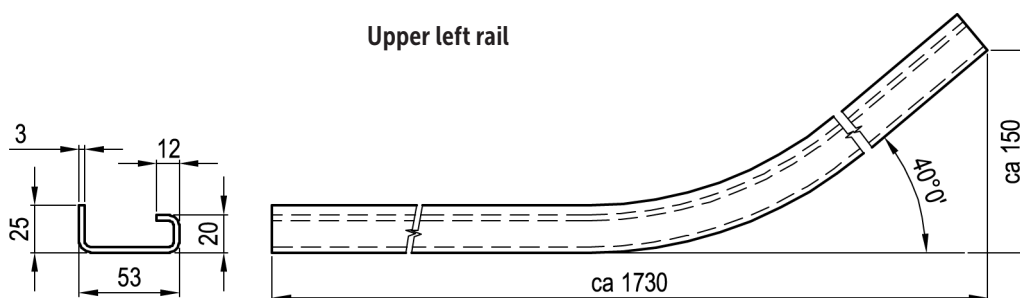
Upper left pulley



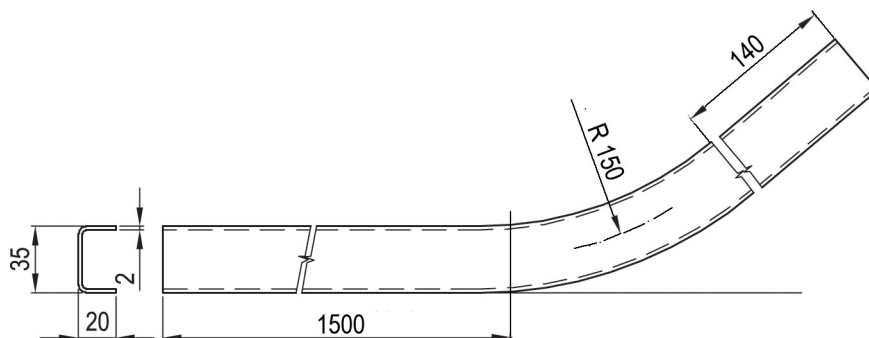
Lower pulley



Upper left rail



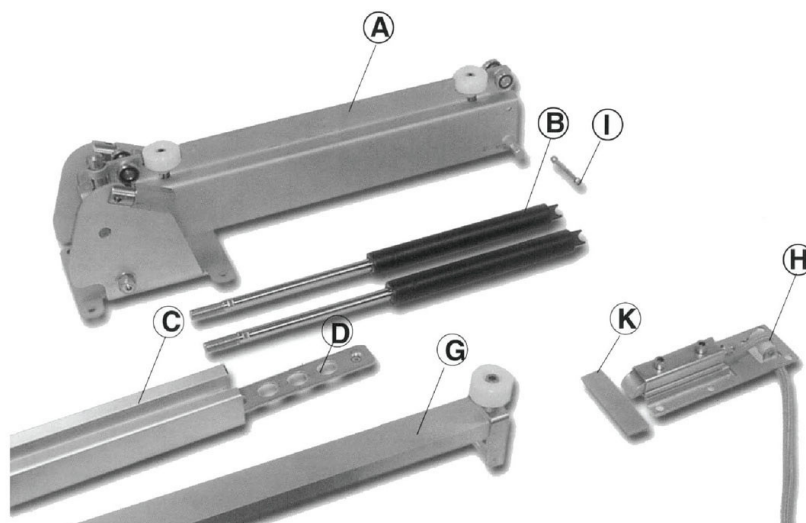
Lower left rail



TT-number	Name	Material	Weight kg/m
0631004.100	Upper left pulley - complete	Al alloy	0.65
0631004.200	Upper right pulley - complete	Al alloy	0.65
0631005.100	Upper left rail	steel	3.85
0631005.200	Upper right rail	steel	3.85
0631006.000	Lower universal pulley - complete	Al / plastic	1.18
0631007.100	Lower left rail	steel	2.11
0631007.200	Rail bottom right	steel	2.11



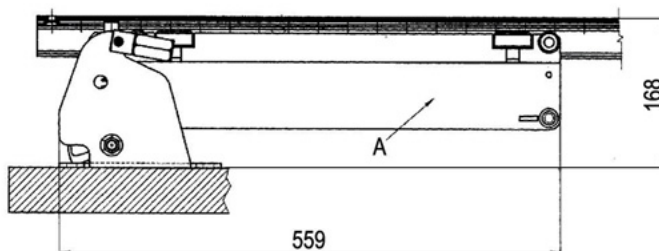
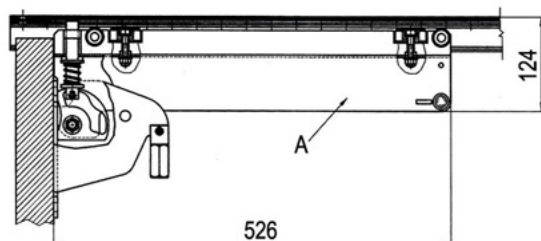
System with automatic closure for sliding wall



TT-number	Name	Position	Number of pieces for sliding wall
0632021.000	Lifting arm, stainless steel, set = 2 pieces	A	1
0632022.150	Gas spring, 150 kg	B	4
0632022.200	Gas spring, 200 kg	B	4
0632022.250	Gas spring, 250 kg	B	4
0632023.000	Guide profile, anodized, L=7000 mm	C	according to the length of the superstructure
0632023.350	Guide profile, anodized, L=3500 mm		according to the length of the superstructure
0632024.000	Inner profile stainless steel, L=3500 mm	D	according to the length of the superstructure
0632025.000	Plate with automatic latch	HKI	1
0632026.000	Automatic locking bar	G	1
0611443.028	PVC seal, 3 tabs 44 / 3, grey, L = 2800 mm		according to the wall dimension

0632021.000

Lifting arm, stainless steel, set = 2 pieces



SYSTEM FOR SLIDING WALL

0632022.150

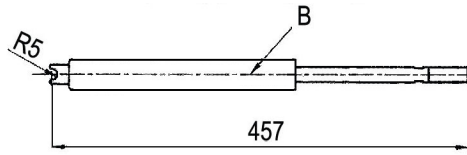
Gas spring, 150 kg

0632022.200

Gas spring, 200 kg

0632022.250

Gas spring, 250 kg

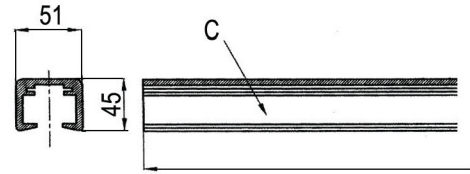


0632023.000

Guide profile, anodised, L = 7000 mm

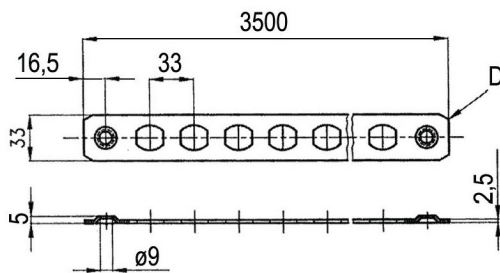
0632023.350

Guide profile, anodised, L = 3500 mm



0632024.000

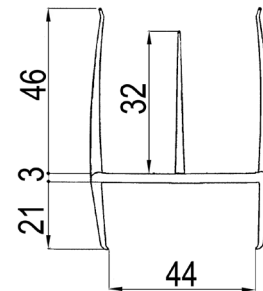
Stainless steel inner profile, L = 3500 mm



0611443.028

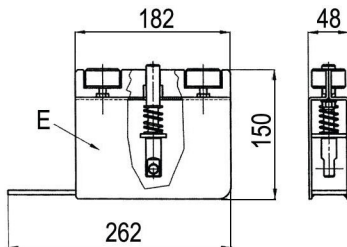
PVC seals - for both types

3 tabs 44 / 3, L = 2800 mm, grey R



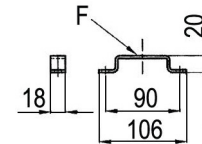
0632028.000

Locking trolley, stainless steel



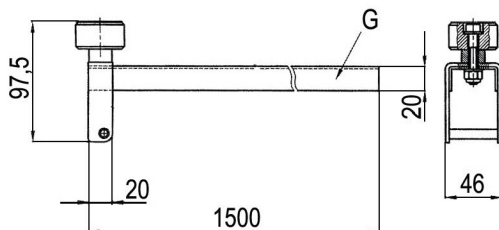
0632029.000

Holder counterpart



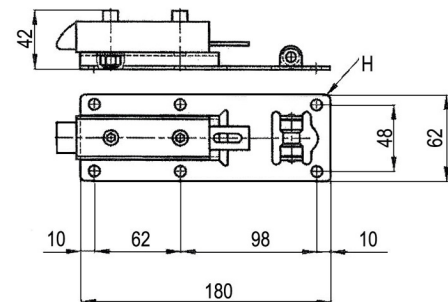
0632026.000

Automatic locking bar



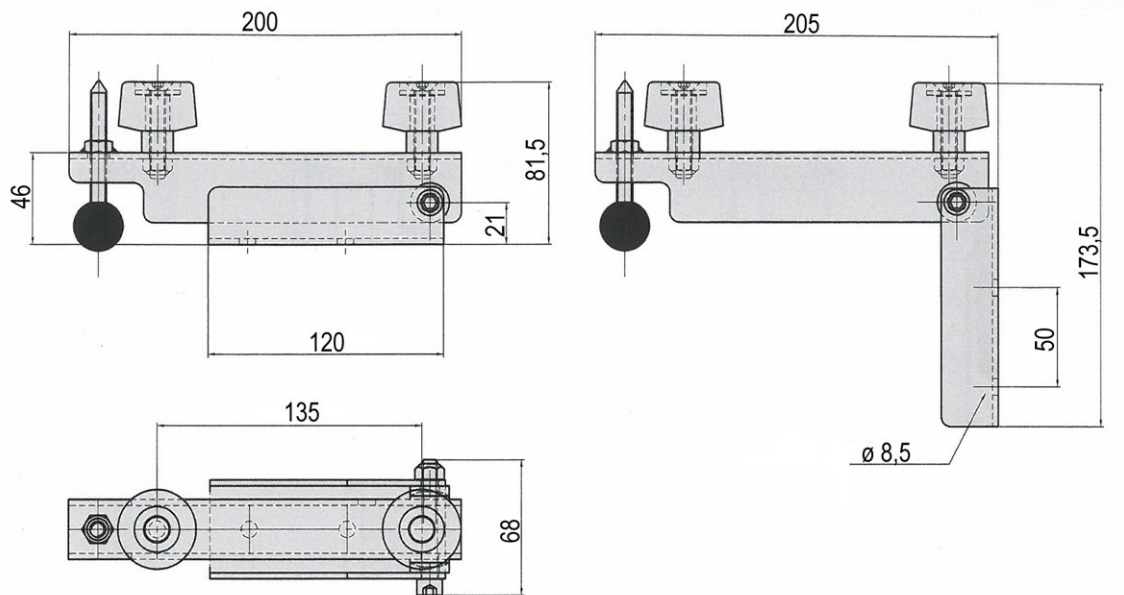
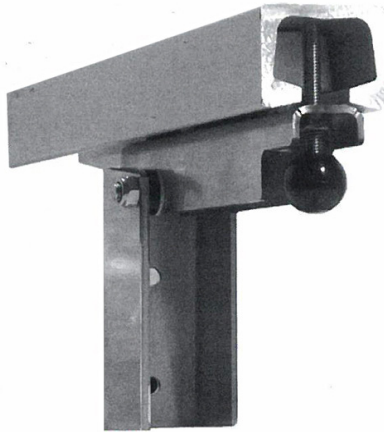
0632025.000

Plate with automatic latch

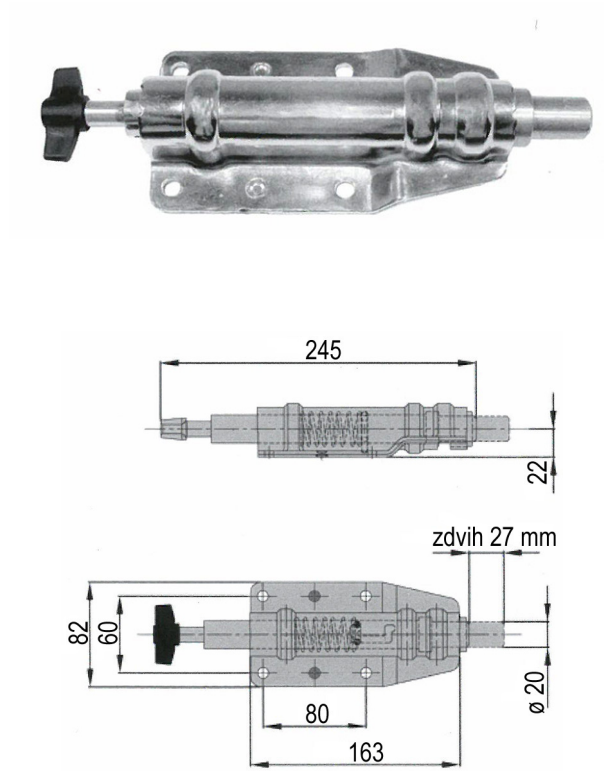


0632050.000

Light wall carrier, without gas springs, sliding, stainless steel, 2 pieces



0632051.000
Locking pin, for sliding wall, stainless steel





Quality aluminium rollers

Aluminium rollers can be used where you need quick access, easy handling, space-saving solutions or protection from thieves, dust or water.

They are suitable for simple, durable and secure closure:

- equipment and storage space in service vehicles,
- working and storage areas on machines or workplaces,
- and are suitable for a variety of applications in a wide range of situations.

Rollers are offered in a number of variations and are manufactured to individual customer specifications - for example in our proven "MODUL" design or as special configurations to meet your unique requirements.

We offer a comprehensive, easy-to-install system with individual components that are designed to work together. It consists of roller + mounting kit + magnetic switch + integrated LED lighting + fastening pull strap. Roller up - the light is on!

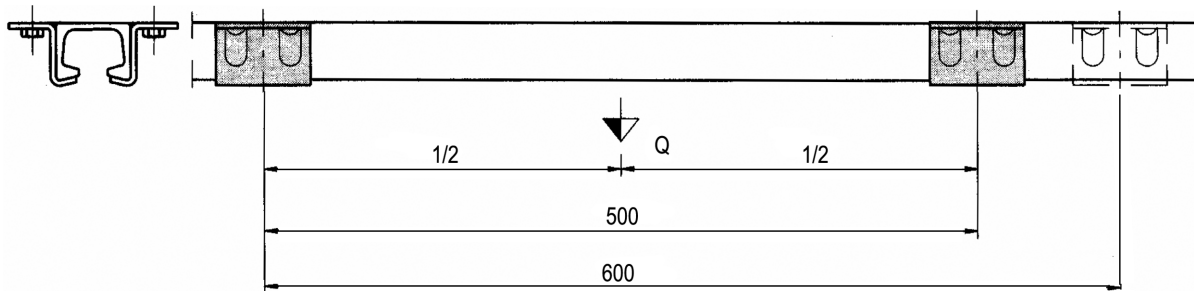
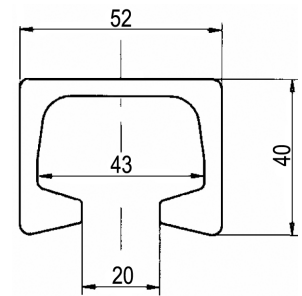
If you are interested, please contact us

Contact our sales department. We can help you with product selection.
You can find our current range of products on the website www.trans-technik.cz

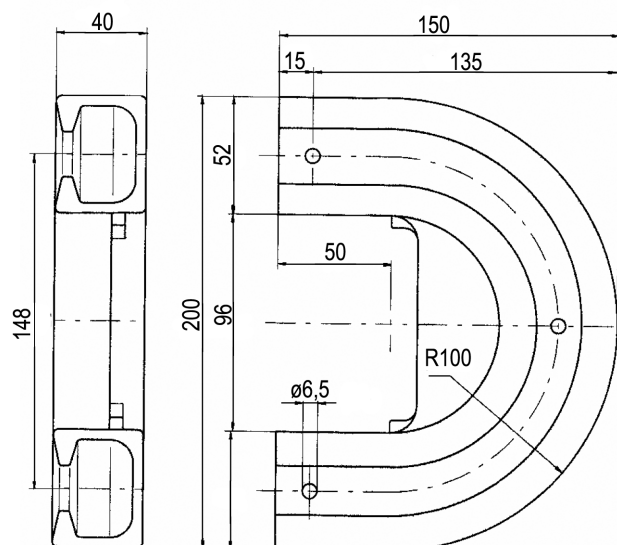


MEAT TRANSPORT - PROFILE C

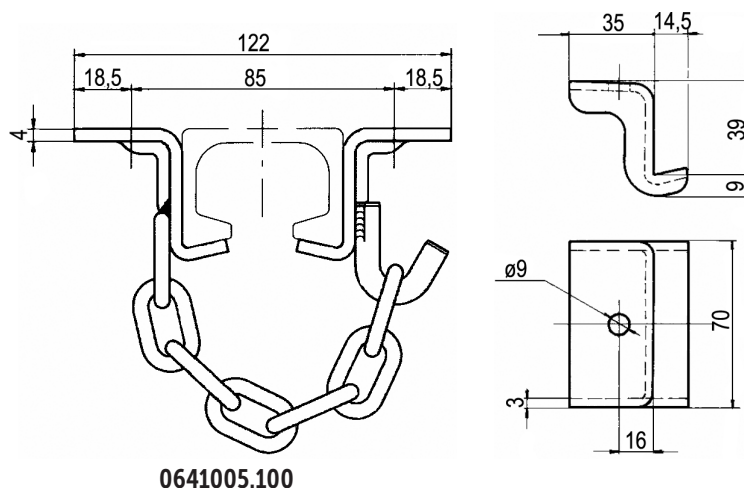
TT-number	Name	Material	Weight kg/pc
0641001.600	Profile C for hanging hooks 52 x 40 - 6000	Al anodized	13.2
0641001.700	Profile C for hanging hooks 52 x 40 - 7000	Al anodized	15.4
0641002.000	Profile C - arch, 200 mm	Al anodized	0.48



Distance between brackets mm	Maximum load Q kg	Maximum load - deformation kg
500	2500	4840
600	1600	3770

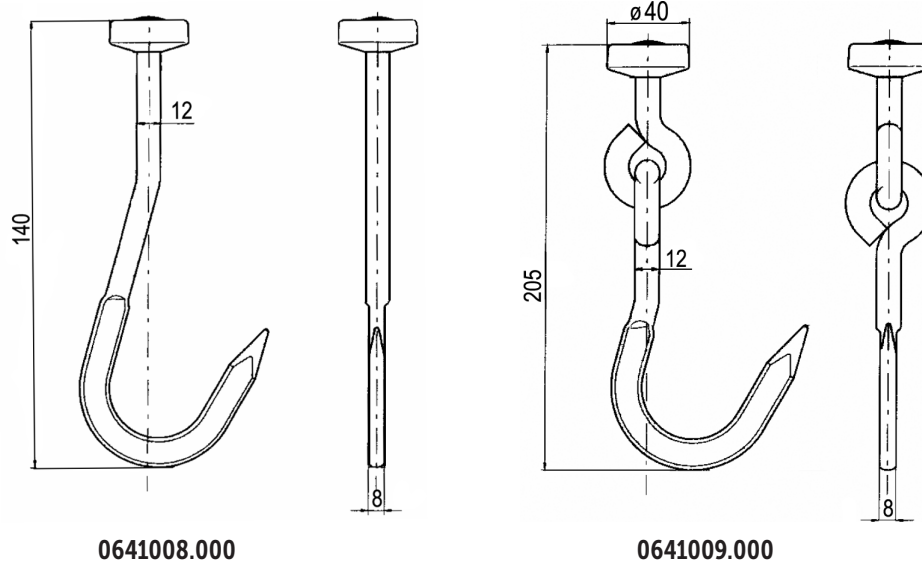


MEAT TRANSPORT - BRACKETS, HOOKS



0641005.100

TT-number	Name	Material	Weight kg/pc
0641005.100	Bracket 70 mm with chain, complete (2 pcs)	stainless steel	0.44
0641005.200	Bracket 70 mm, complete (2 pcs)	stainless steel	0.33
0641006.100	Bracket 103 mm with chain, complete (2 pcs)	stainless steel	0.59
0641006.200	Bracket 103 mm, complete (2 pcs)	stainless steel	0.51



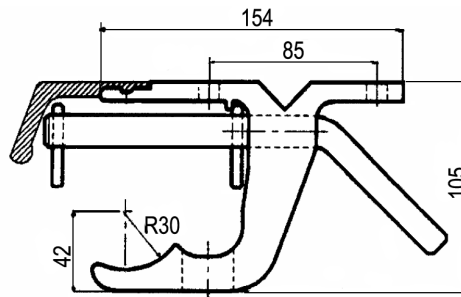
0641008.000

0641009.000

TT-number	Name	Material	Weight kg/pc
0641008.000	Meat hook 12/140, 500 kg	stainless steel	0.22
0641009.000	Articulated meat hook 12/205, 500 kg	stainless steel	0.41

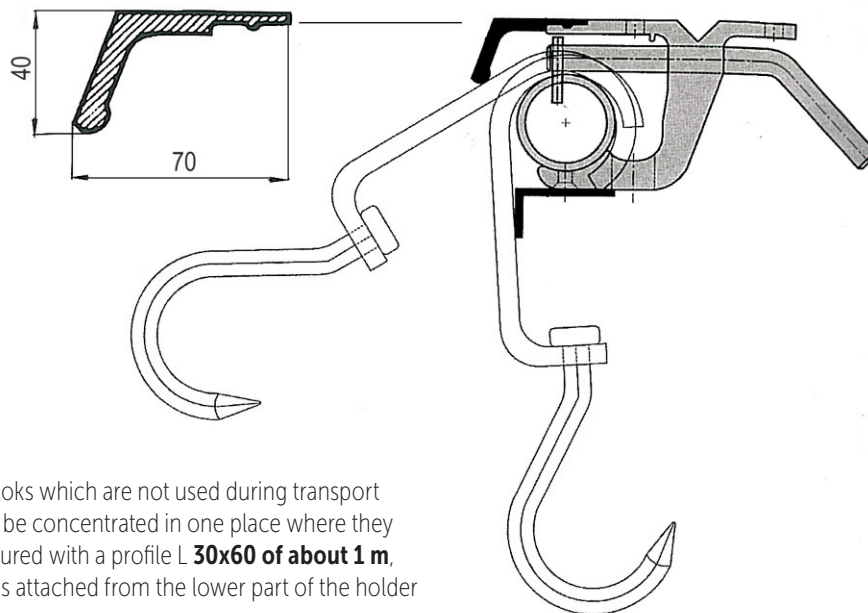


MEAT TRANSPORTATION - TUBE SYSTEM \varnothing 60 mm



TT-number	Name	Material	Weight kg/pc
0641020.000	Bracket for pipe with pin	Al anodized / stainless steel pin	0.22

0641022.000

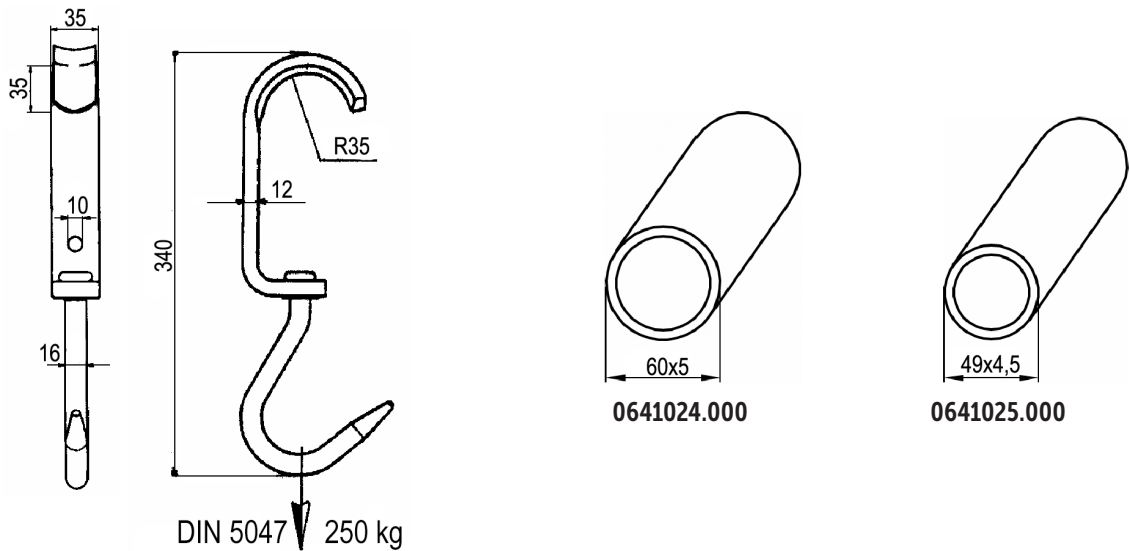


The hooks which are not used during transport should be concentrated in one place where they are secured with a profile L **30x60 of about 1 m**, which is attached from the lower part of the holder

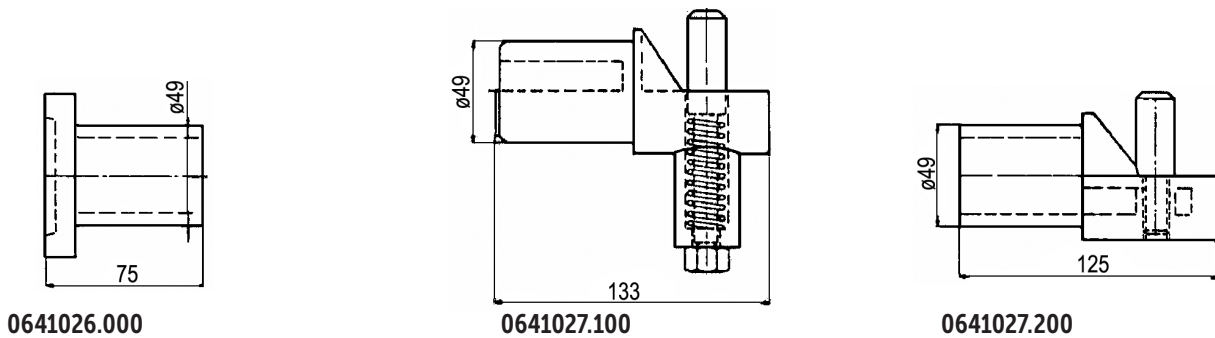
TT-number	Name	Material	Weight kg/pc
0641022.000	Hook securing profile 70 x 40 - 7000 mm	Al anodized	15.00



MEAT TRANSPORTATION - TUBE SYSTEM \varnothing 60 mm



TT-number	Name	Material	Weight kg/pc
0641023.000	Euro meat hook, DIN 5047	hook-stainless / carrier - galvanized	1.35
0641024.700	Tube 60 x 5 - 7000 mm	Al anodized	16.00
0641025.020	Pipe 50 x 4,5 - 200 mm, connecting T	Al natural	0.38

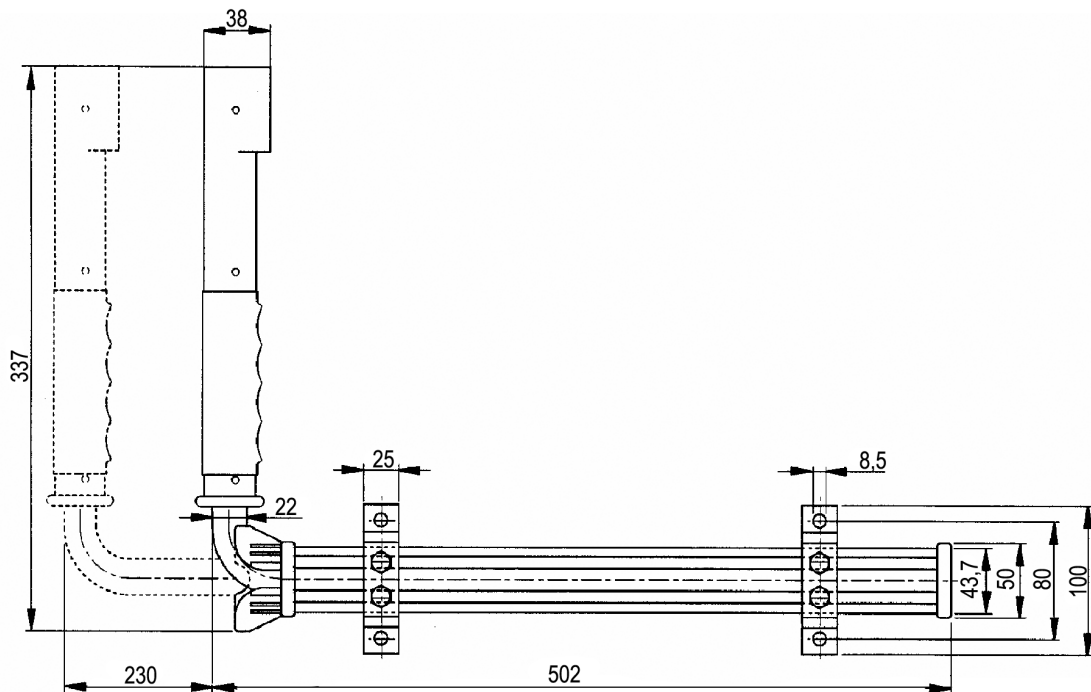
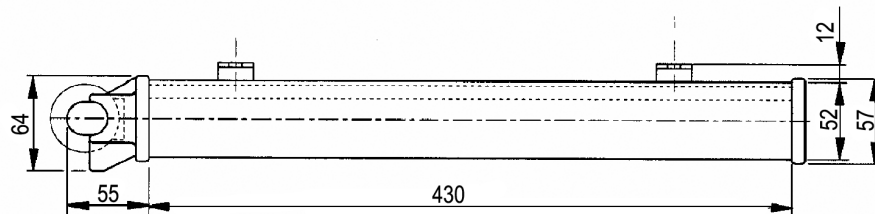


TT-number	Name	Material	Weight kg/pc
0641026.000	End piece front	Al anodized	0.29
0641027.100	Rear end piece with spring	pin-stainless / carrier - Al anodized	0.74
0641027.200	End piece rear	pin-stainless / carrier - Al anodized	0.42

BOX ACCESSORIES - PULL-OUT DOOR HOLDER

Extension arm pivotally mounted in aluminium profile, arm travel 230 mm, mounting brackets are slide mounted in grooves, longitudinal spacing can be adjusted as required

TT-number	Name	Material	Weight kg/pc
0651101.000	Pull-out door holder - 230 mm, galvanized	parts - galvanized / housing - Al anodized	1.90
0651102.000	Pull-out door holder - 230 mm, stainless steel	parts - stainless steel / housing - Al anodized	1.90



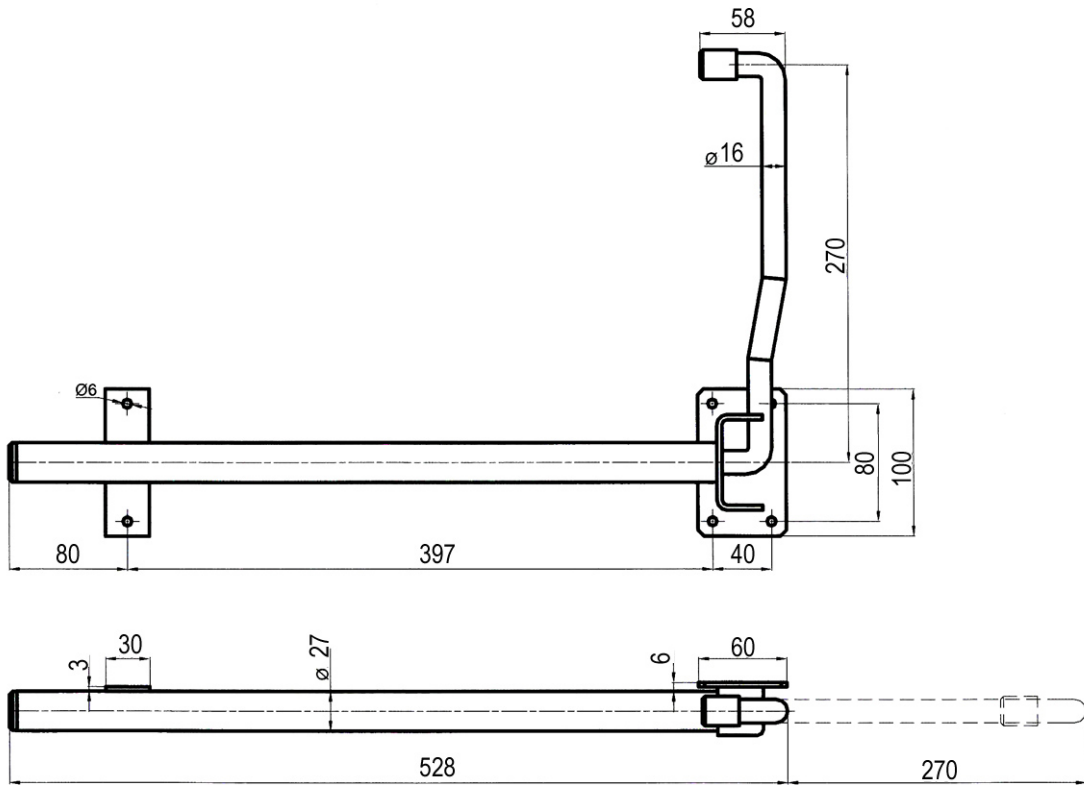
Spare parts

TT-number	Name	Material
0651102.090	ND rubber sleeve for door holder 0651101.102	rubber
0651102.100	Plastic part for door holder 0651101.102	plastic

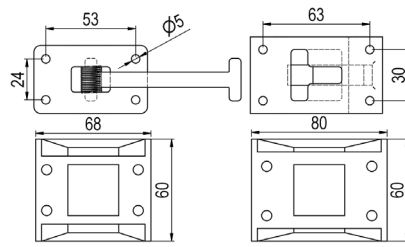


BOX ACCESSORIES - PULL-OUT DOOR HOLDER

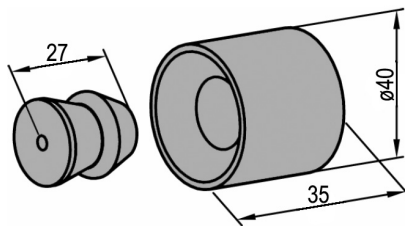
TT-number	Name	Material	Weight kg/pc
0651105.000	Pull-out door holder - 270 mm, galvanized	galvanized	2.20



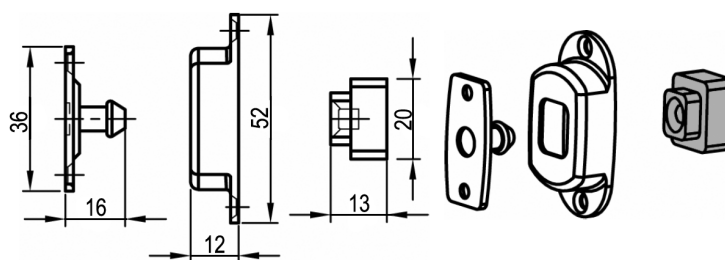
0651215.000
Door holder T - 90 mm complete



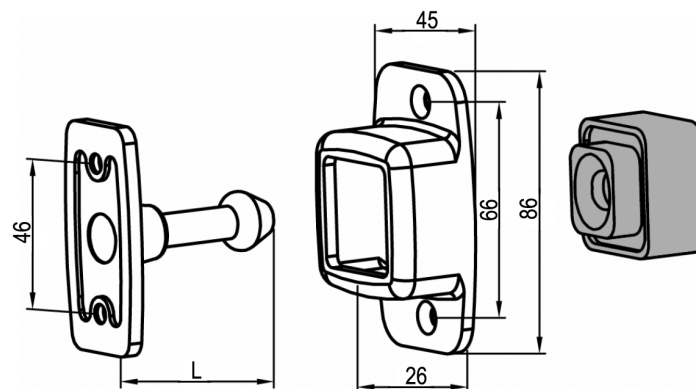
BOX ACCESSORIES - DOOR HOLDER



TT-number	Name	Material	Weight kg/pc
0651301.000	Rubber door holder with plastic pin	holder - rubber / pin - plastic	0.06



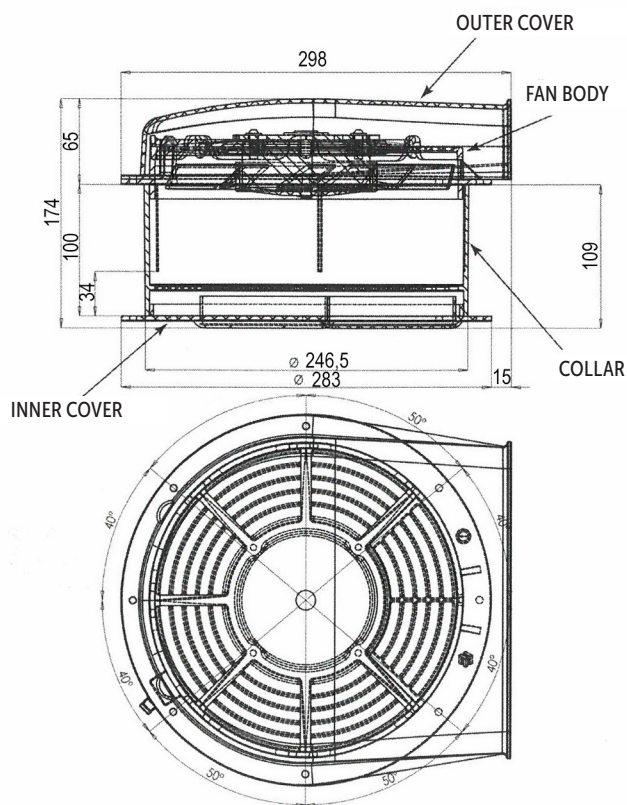
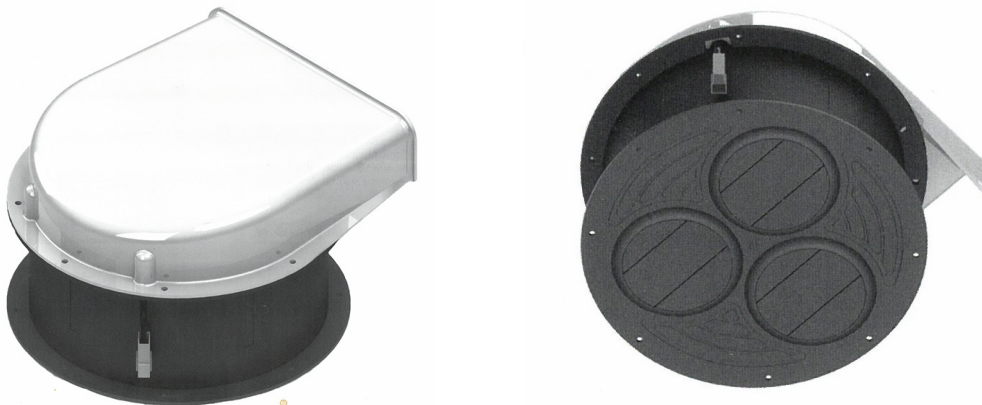
TT-number	Name	Material	Weight kg/pc
0651310.000	Door holder pin l = 16 mm	brass, chrome plated	0.01
0651311.000	Door holder counterpart for pin 16	Al, aluminium	0.01
0651312.000	Door holder rubber insert for counterpart	rubber black	0.01



TT-number	Name	Material	Weight kg/pc
0651320.030	Door holder pin l = 30 mm	brass, chrome plated	0.04
0651320.040	Door holder pin l = 40 mm		0.05
0651320.050	Door holder pin l = 50 mm		0.06
0651320.060	Door holder pin l = 60 mm		0.07
0651320.080	Door holder pin l = 80 mm		0.08
0651321.000	Door holder counterpart for pin	Al polished	0.05
0651322.000	Door holder rubber insert for counterpart	rubber black	0.04

BOX ACCESSORIES - FANS

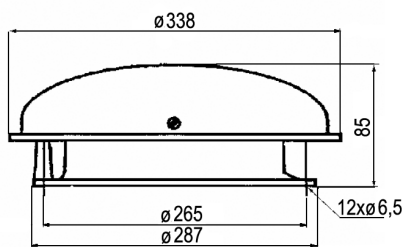
The fan is designed to extract air to outdoor areas through three openings. The extractor fan is designed to be installed on the ceilings of commercial vehicles used for transporting people and goods. The extraction from the interior of the vehicle to the outside is triggered by a controller (not included in the fan). The extracted airflow can be manually controlled via three adjustable vents located on the inner cover. The extractor fan must be installed at the top of the ventilated space. The extractor fan outlet must be in direct contact with the outdoor environment (for more detailed information, please refer to the User Manual included in the package).



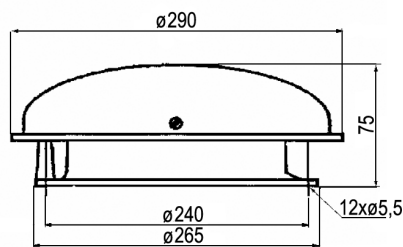
TT-number	Name	Voltage V	Max. consumption W	Consumption A	Air flow m ³ /hour	Weight kg
0652035.012	Fan complete	12	75	5.3	358	2.05
0652035.024	Fan complete	24	85	3.2	355	2.05



BOX ACCESSORIES - FANS

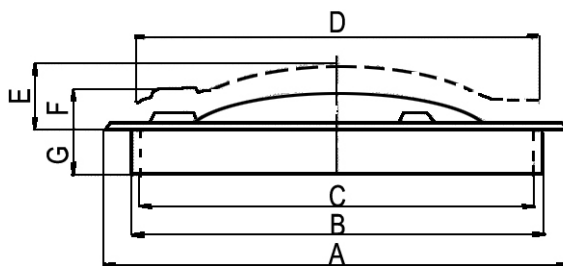


0652021.012
0652021.024



0652030.012
0652030.024

TT-number	Name	Power input W	Roof latch TT-number	Power in // out m3/hour	Weight kg/pc
0652021.012	Two-speed fan bidirectional 12V	40 / 96	0652025.000	440 / 880 // 530 / 1060	1.9
0652021.024	Two-speed fan bidirectional 24V				1.9
0652030.012	Two-speed fan bidirectional 12V	34 / 70	0652031.005	320 / 610 // 390 / 740	1.6
0652030.024	Two-speed fan bidirectional 24V				1.6
0652022.000	Reversing switch for fans, use - 1 pc for reversing, 1 pc for changing speed				0.01

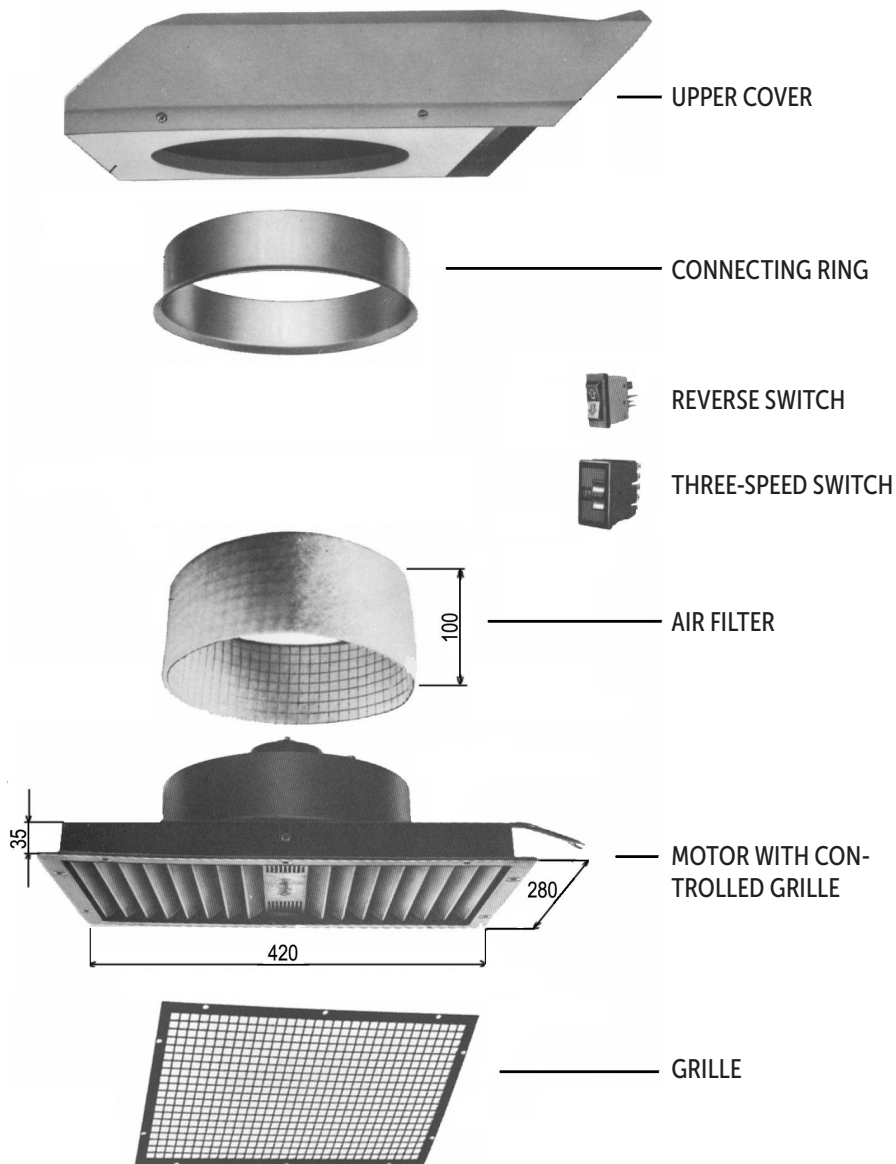


TT-number	Name	A mm	B mm	C mm	D mm	E mm	F mm	G mm	Weight kg/pc
0652025.000	Roof latch with lighting, 21W	282	248	237	243	40.5	25	28	0.38
0652031.005	Roof latch with lighting, 21W	245	208	197	203	40.5	25	28	0.3

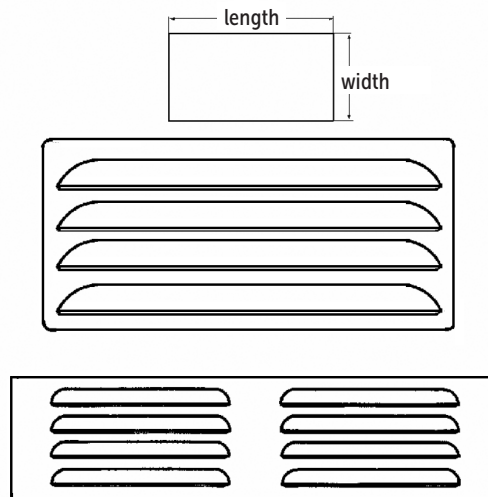


Mounting assembly

The roof opening has a diameter of 247 mm



TT-number	Name	Voltage V	Power m3/hour	Noise db (A)	Operating temperature T°C	Weight kg
0652001.112	Three-speed bidirectional fan - complete	12	500	<70	-20°C +70°C	6.5
0652001.124	Three-speed bidirectional fan - complete	24				6.5



TT-number	Width mm	Length mm	Number of ventilation openings	Length of ventilation openings	Weight approx. kg
0652201.000	80	250	3	200	0.05
0652204.000	110	310	4	260	0.09
0652205.000	110	410	4	320	0.12
0652206.000	110	500	2 x 4	180	0.15
0652207.000	200	440	4	400	0.33

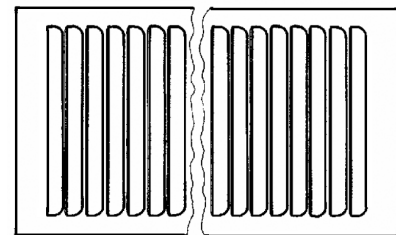
0652211.000

Cover grille 560 x 220 mm

Length of ventilation holes 180 mm

Material: aluminium

Weight: 0.33 kg



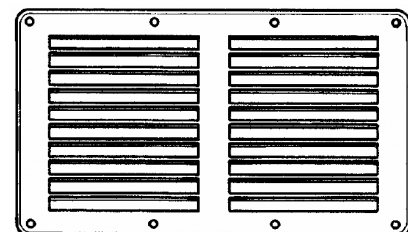
0652221.000

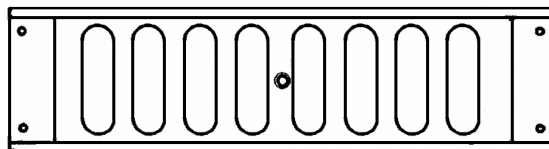
Cover grille 385 x 220 x 16 mm

2 x 10 ventilation holes with inward opening, 8 x \varnothing 3.2 for screws

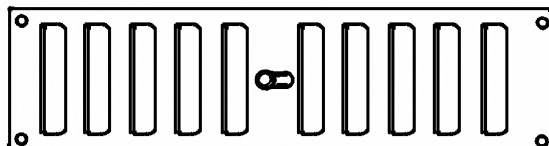
Material: plastic

Weight: 0.415 kg





Ventilation grilles with air inlet closure, aluminium, 4 x 3 for screws					
TT-number	Width l mm	Length mm	Number of ventilation openings	Length of ventilation openings	Weight approx. kg
0652231.000	70	250	6	50	0.065
0652234.000	100	310	8	75	0.105
0652236.000	100	500	14	75	0.180



Ventilation grilles with moulded holes, 4 x 3 for screws					
TT-number	Width mm	Length mm	Number of ventilation openings	Length of ventilation openings	Weight approx. kg
0652241.000	110	280	6	80	0.155
0652242.000	110	410	10	80	0.225
0652243.000	110	500	12	80	0.275

0652251.000

Ventilation grille 385 x 220 x 11 mm

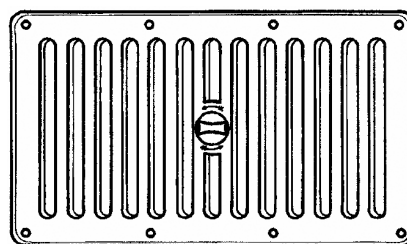
With eccentric air shut-off, 13 ventilation openings 165 mm long

Superstructure dimension 355 x 186 mm, 8 x \varnothing 3.2 for screws

Material: plastic

Colour: ivory

Weight: 0.37 kg



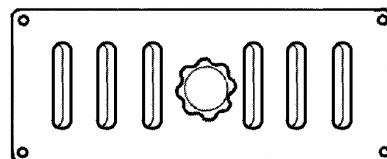
0652261.000

Ventilation grille 380 x 150 mm

6 ventilation holes 85 mm long

Material: aluminium

Weight: 0.44 kg



BOX ACCESSORIES - VENTILATION WINDOWS

0653006.000

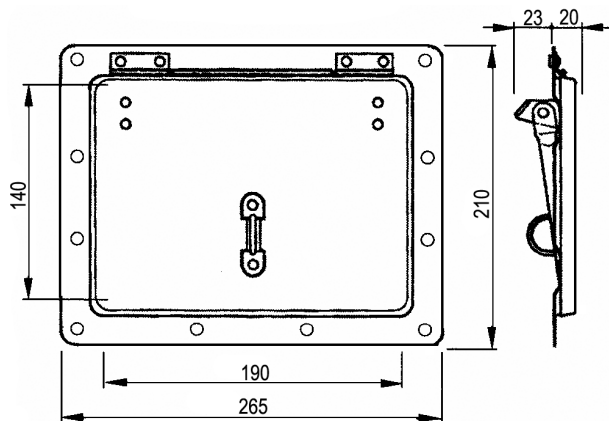
Roof window, smoke grey 350 x 500 mm,
Weight: 2.25 kg/pc



0653101.100

0653101.200

Roof ventilation flap



0653104.000

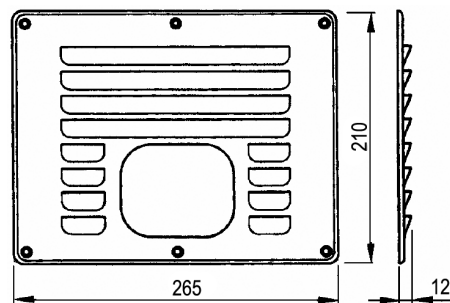
Ventilation grille

Designed for: 0653101.100 / 0653101.200 / 0653103.000

Material: aluminium

Dimensions: 265 x 210 mm

Weight: 0.12 kg/pc



TT-number	Name	Material	Dimension mm	Weight kg
0653101.100	Roof ventilation flap	sheet metal - black lacquer with	265 x 210	0.83
0653101.200		Al, aluminium		0.44
0653102.000	Seals	rubber black	260 x 205	0.15

